

Cnt-no	Item-no	Quantity	Unit	Name	Specification	Proc.restr.
4	206255	1	piece	Stator 110/115V assy		
5	233684	1	piece	Rotor 110/115V		
6	233790	1	piece	Brush holder 100V/115V assy		
7	202280	1	piece	Electronics 100/115V assy		
8	330179	1	piece	Protective sleeve DM10		
9	233636	1	piece	Supply cord USA/CDN		
10	233541	1	piece	O-ring 64,77X2,62		
11	233506	1	piece	Lid		
12	206018	1	piece	Housing endcap		
13	233637	7	piece	Torx-soc ov screw M6X25 10.9		
14	72432	4	piece	Recess tapping screw ST3,9X16	DIN 7981 8.1990 C-H-A2K	national purchase
15	330445	12	piece	Plastite screw 45 6X40		
16	202188	4	piece	Torx-soc ov screw M5X12		
17	207960	2	piece	Torx-soc re scr 4X18		
20	233539	1	piece	Chiselling handle assy		
21	233549	1	piece	Knob assy		
22	234296	1	piece	Chiselling handle		
23	233661	1	piece	Clamping band		
24	233662	2	piece	Holder		
25	233548	1	piece	Hexagon bolt M8X160		
26	233547	1	piece	Snap-lock ring 1		
27	233627	1	piece	Snap-lock ring 2		
28	233504	1	piece	Insulation		
30	233715	1	piece	Motor housing		



HILTI Aktiengesellschaft Schaan/FL
Copyright reserved HILTI = Registered trademark

Spare part list

Item-no	Index	Name	valid as fro	Drawing	Page
233703	14	Breaker TE 705 120V USA	22.06.04	27463	1 / 5

Cnt-no	Item-no	Quantity	Unit	Name	Specification	Proc.restr.
31	206008	1	piece	Insulating washer		
32	233795	1	piece	Gear housing assy		
33	250740	1	piece	Ball bearing		
34	206126	1	piece	Cooling fan assy		
35	206035	2	piece	Plastite screw 45 5X60		
36	268561	1	piece	Ball bearing 15X35X17,1		
37	233788	1	piece	Carbon brush 7x12,5x20 100V-120V AO		
38	233789	1	piece	Carbon brush 7x12,5x20 100V-120V AO		
39	51090	1	piece	Circlip 35X1,5	DIN 472 9.1981	national purchase
40	206145	1	piece	O-ring 21,3X2,4		
43	233754	1	piece	Rating plate TE 705 120V USA		
44	72417	3	piece	Conductor end		
46	233632	1	piece	Detent ring		
47	9713	4	piece	Hex skt hd cap screw M5X10	DIN 6912 12.2002 8.8-SCHW	national purchase
48	233505	1	piece	Cover		
49	202264	4	piece	Torx-soc pl scr 45 3X12		
50	202265	1	piece	Lock button		
51	202182	1	piece	Setting lever assy		
52	233646	1	piece	Clamping piece		
53	76875	1	piece	Spring		
54	233765	1	piece	Flexible conductor AWG16 assy		
55	17904	1	piece	Switch		
56	234254	1	piece	Lid 1		
57	233628	1	piece	Terminal block TYP1000/3DS		



HILTI Aktiengesellschaft Schaan/FL
Copyright reserved HILTI = Registered trademark

Spare part list

Item-no	Index	Name	valid as fro	Drawing	Page
233703	14	Breaker TE 705 120V USA	22.06.04	27463	2 / 5

Cnt-no	Item-no	Quantity	Unit	Name	Specification	Proc.restr.
58	203084	1	piece	Contact piece		
59	233623	1	piece	Connector housing assy		
60	234255	1	piece	Lid 2		
61	233690	1	piece	Guide tube		
62	233691	1	piece	Chuck		
63	206085	1	piece	Striker piston		
64	233793	1	piece	Ram		
65	233513	1	piece	Absorber		
66	233514	1	piece	Stop		
68	233770	1	piece	Sealing ring		
69	233794	1	piece	O-ring 37,82X1.78		
71	233509	1	piece	Retaining ring A38		
72	233536	1	piece	Bearing bushing		
74	233656	1	piece	Sealing ring 18,4X25,4X5,4		
75	233520	1	piece	Drive piston		
76	26010	1	piece	Piston pin		
77	26009	1	piece	Conrod		
79	233693	1	piece	Flange		
80	233558	1	piece	Spring clip		
81	233524	1	piece	Grip section		
82	2181	6	piece	Ball 6 IV	DIN 5401 1.1978	national purchase
83	233508	1	piece	Supporting washer		
84	233507	1	piece	Circlip AS 28		
85	202124	1	piece	Compression spring 2,3X44X66		



HILTI Aktiengesellschaft Schaan/FL
Copyright reserved HILTI = Registered trademark

Spare part list

Item-no	Index	Name	valid as fro	Drawing	Page
233703	14	Breaker TE 705 120V USA	22.06.04	27463	3 / 5

Cnt-no	Item-no	Quantity	Unit	Name	Specification	Proc.restr.
86	233525	1	piece	Positioning sleeve		
87	233526	1	piece	Supporting ring		
88	206165	1	piece	Locking sleeve		
89	72139	2	piece	Roller		
90	233689	1	piece	Dust shield		
91	202145	1	piece	Ring		
92	74668	1	piece	Retaining ring		
93	17955	2	piece	O-ring 24,99X3,53		
94	233528	1	piece	O-ring 30X2		
95	233560	1	piece	O-ring 58X2,5		
97	233663	1	piece	Toothed gear Z=39		
98	233749	1	piece	Ball bearing 20X42X9		
99	233559	1	piece	Dust shield		
100	233639	1	piece	Protective cap		
102	234257	1	piece	Grip		
103	233721	1	piece	Adapter		
104	201495	1	piece	Torx-soc tapt scr M3,5X5,5		
105	234227	1	piece	Compression spring 21,65x5,4		
106	233664	1	piece	Bushing		
107	233665	1	piece	Bushing		
108	70446	1	piece	O-ring 34,65X1,78		
109	206121	1	piece	O-ring 18,64X3,53-N-FPM70		
110	206103	1	piece	Seal		
111	233751	2	piece	Ring		



HILTI Aktiengesellschaft Schaan/FL
Copyright reserved HILTI = Registered trademark

Spare part list

Item-no	Index	Name	valid as fro	Drawing	Page
233703	14	Breaker TE 705 120V USA	22.06.04	27463	4 / 5

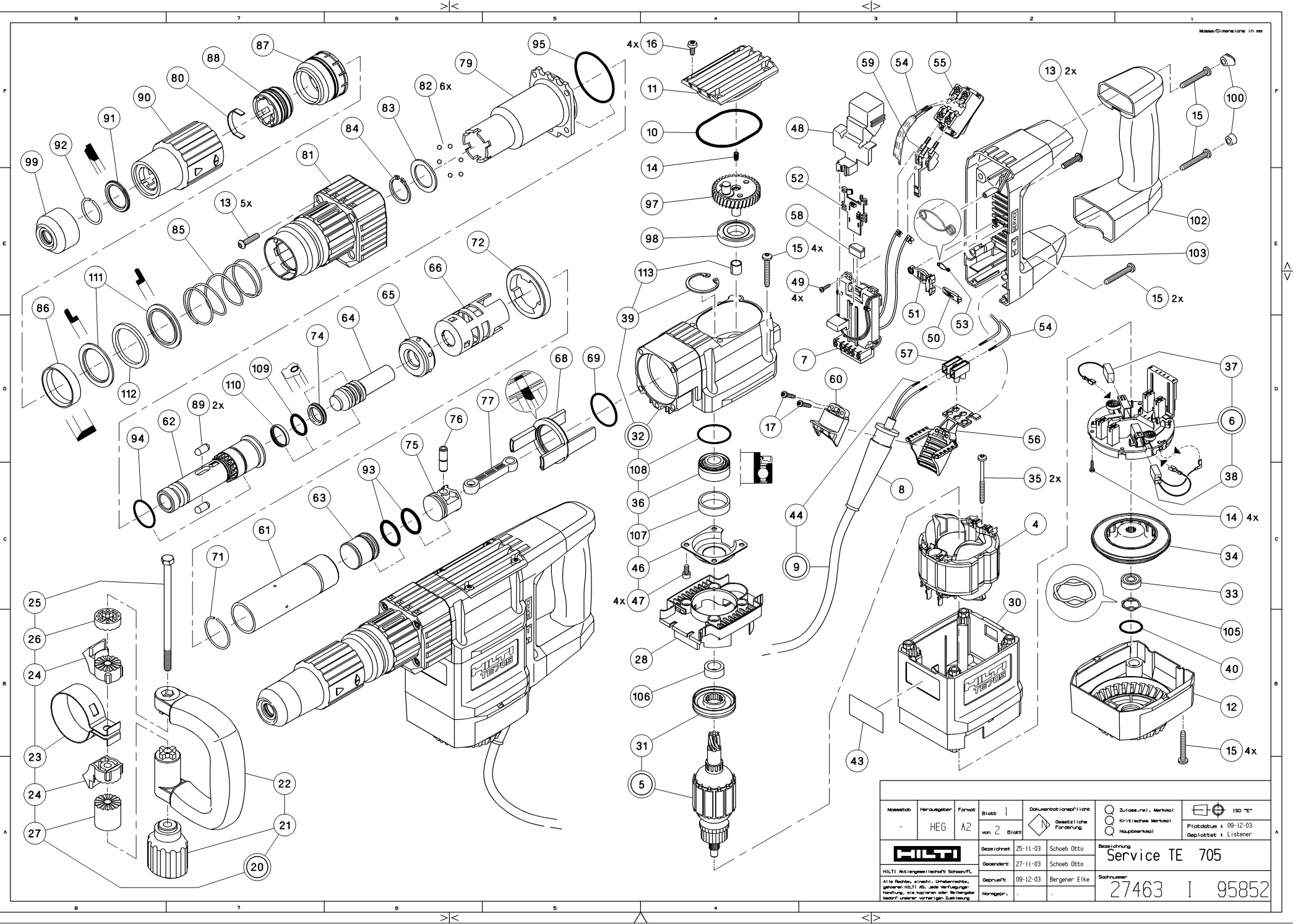
Cnt-no	Item-no	Quantity	Unit	Name	Specification	Proc.restr.
112	233750	1		piece Ring		
113	206130	1		piece Bushing		
114	4679	1		piece Hex skt set screw M6X8 MK		
115	233624	1		piece Flexible conductor assy		
703	30215	1		piece Oil Turmopol 20HD 1L		
811	203086	1		piece Grease 50 ML		
900	59299	1		piece Adhesive LOCTITE 222 250CCM		



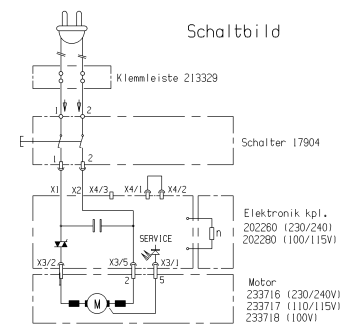
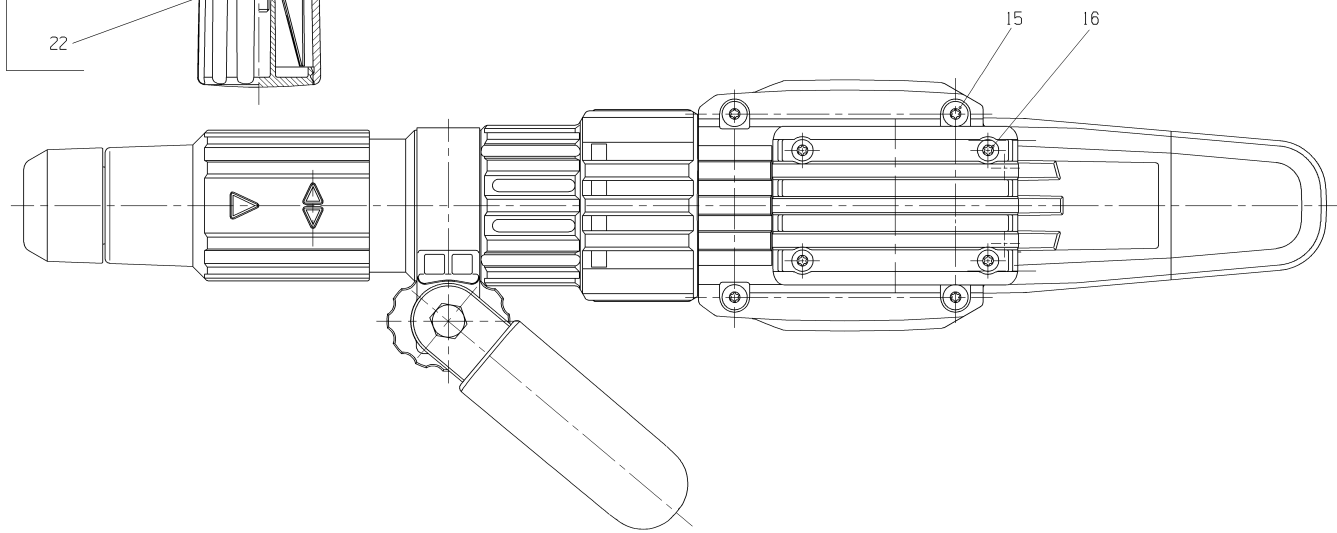
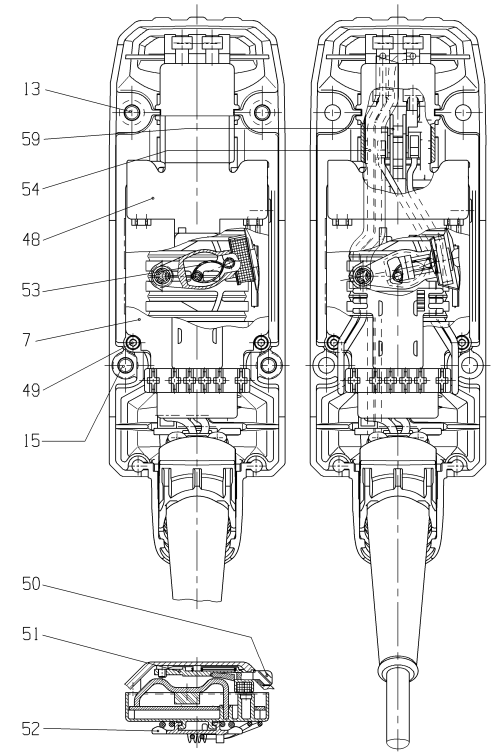
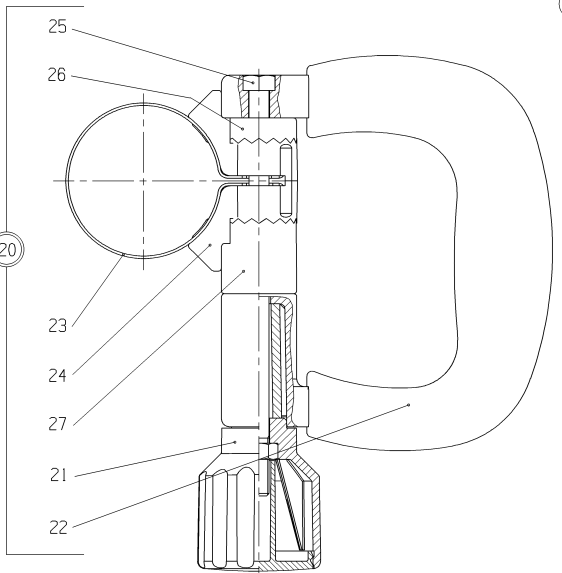
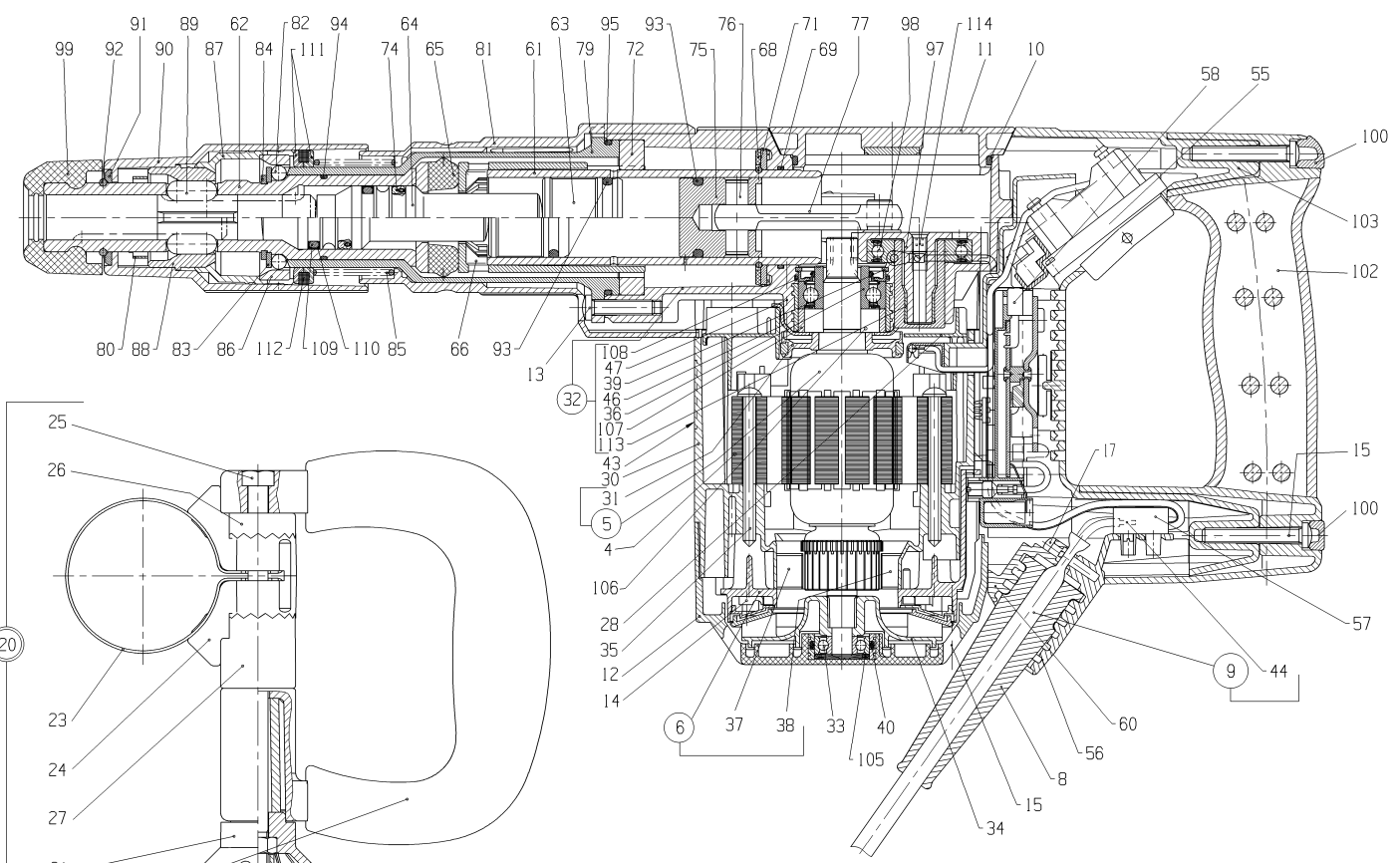
HILTI Aktiengesellschaft Schaan/FL
Copyright reserved HILTI = Registered trademark

Spare part list

Item-no	Index	Name	valid as fro	Drawing	Page
233703	14	Breaker TE 705 120V USA	22.06.04	27463	5 / 5



Masstab	Herzugeben	Format	Blatt: 1 von 2 Blatt	Dokumentationssymbol Gesetzliche Forderung	Zulass.-rel. Merkmal Krit. Merkmal Hauptmerkmal	ISO "E" Protokoll: 09-12-03 Gepr. Blatt: s. Liste
			Gezeichnet	25-11-03	Schoeb Otto	Bezeichnung
HILTI Aktiengesellschaft, Schaan/FL Alle Rechte, einschl. Urheberrechte, gehören HILTI AG. Jede Vervielfältigung, Verbreitung, auch auszugsweise, bedarf unserer vorherigen Zustimmung.			Geändert	27-11-03	Schoeb Otto	Service TE 705
			Geprüft	09-12-03	Bergener Elke	Sachnummer
					27463 95852	



Modell	Hersteller	Formel	Blatt	2	Druckdatum (gggg) (gg)	0	Zustimmung (Name)	ISO 9001
1:1	HEG	A1	von	2	Blatt	0	Kennlinie (Name)	Produktionsdatum (gg-yy)
			Druckdatum	25-11-03	Druckort		Schub Otto	Produktionsort
			Druckdatum	27-11-03	Druckort		Schub Otto	Produktionsort
			Druckdatum	09-12-03	Druckort		Bergner Elka	Produktionsort
			Druckdatum		Druckort			Produktionsort
								Service TE 705 27463 95852