

Masse/Dimensions in mm

25,0-27,0Nm

4,0-6,0Nm

4,0-5,0Nm

12,0-18,0Nm

12,0-18,0Nm

12,0-18,0Nm

4,0-6,0Nm

12,0-18,0Nm

1,7-2,5Nm

Only valid in relation with current engineering BOM

Scale	Format	ISO "E"	<input checked="" type="checkbox"/> Approval requirement	<input type="checkbox"/> Critical feature	Name	Sheet		
-	A3		<input type="checkbox"/> ABE	<input type="checkbox"/> Major feature	SD TE 3000-AVR_01	1		
 Hilti = registered trademark of Hilti Corporation, Schaan, LI Copyright reserved					Status	11.04.2014	Released	
					Drawn	11.04.2014	SCHOEBO	
					SZ TE 3000-AVR_01	of		
					Modified	11.04.2014	SCHOEBO	
					Document No.	350385 / G / 580683		
					Checked		Material No.	209250

**CLASS II**

**CLASS I**

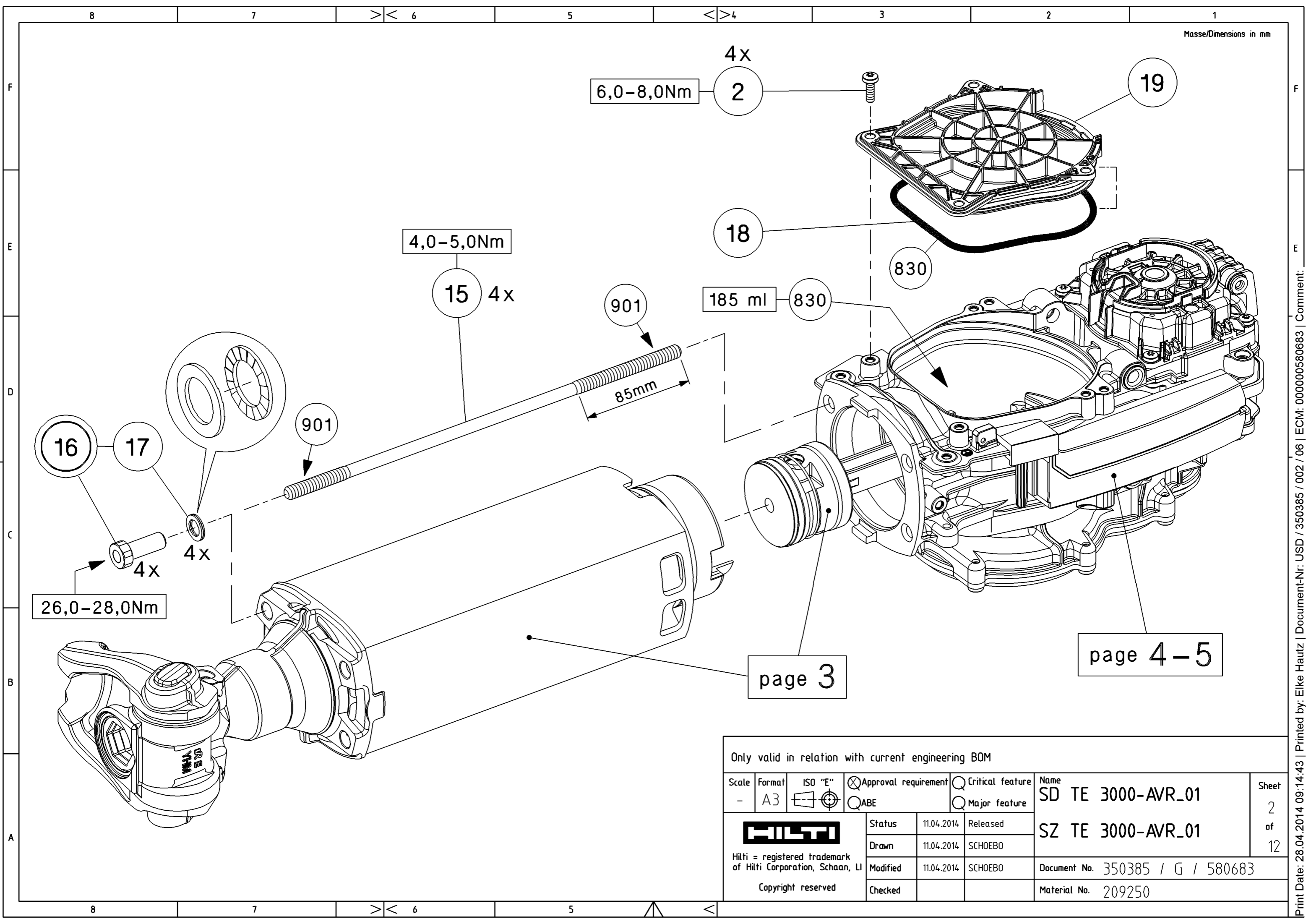
120V PE

page 7/9/10

page 2-5

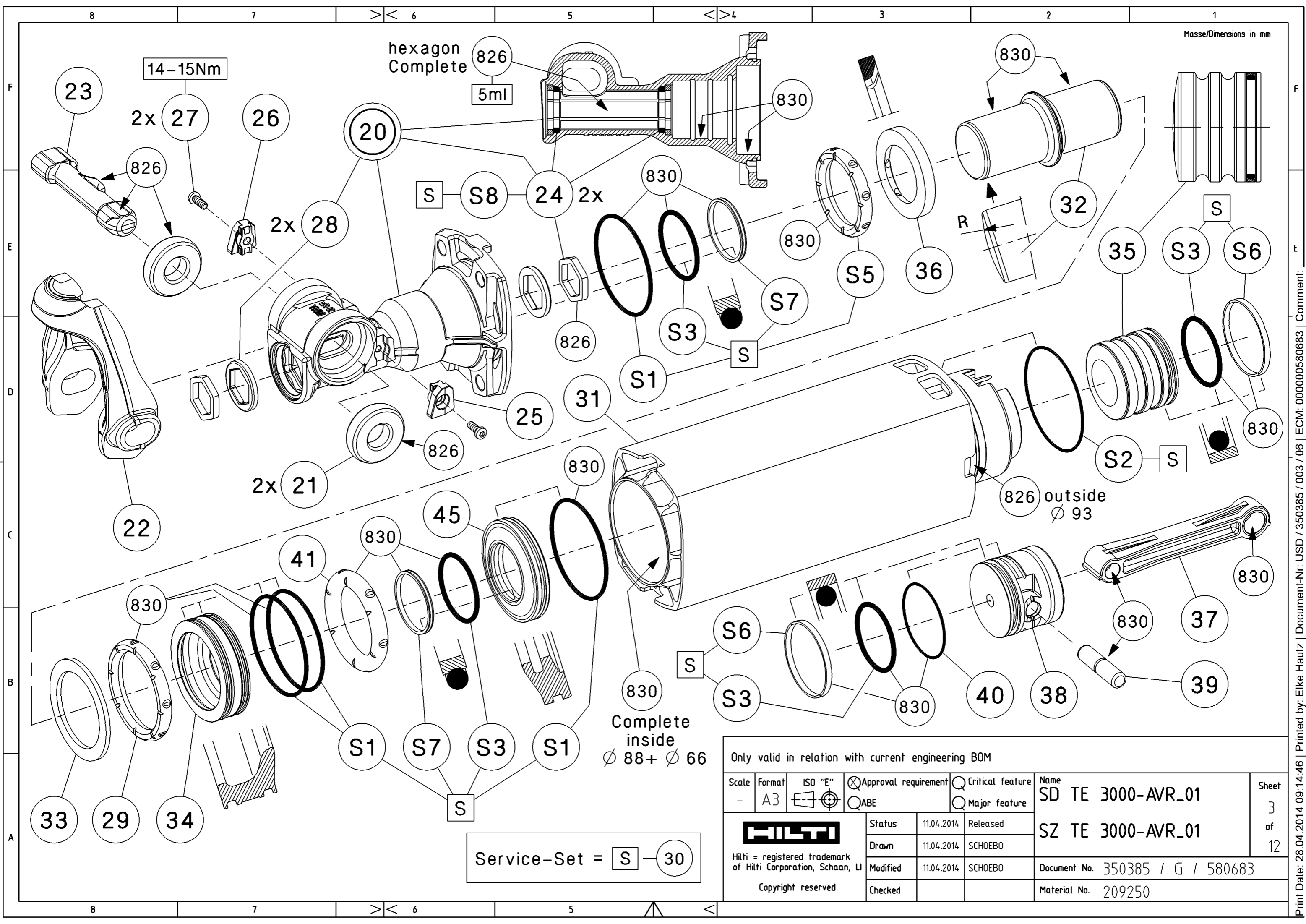
page 6

Print Date: 28.04.2014 09:14:43 | Printed by: Elke Hantz | Document-Nr: USD / 350385 / 001 / 06 | ECM: 00000580683 | Comment:



Only valid in relation with current engineering BOM

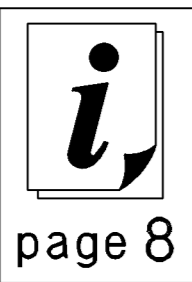
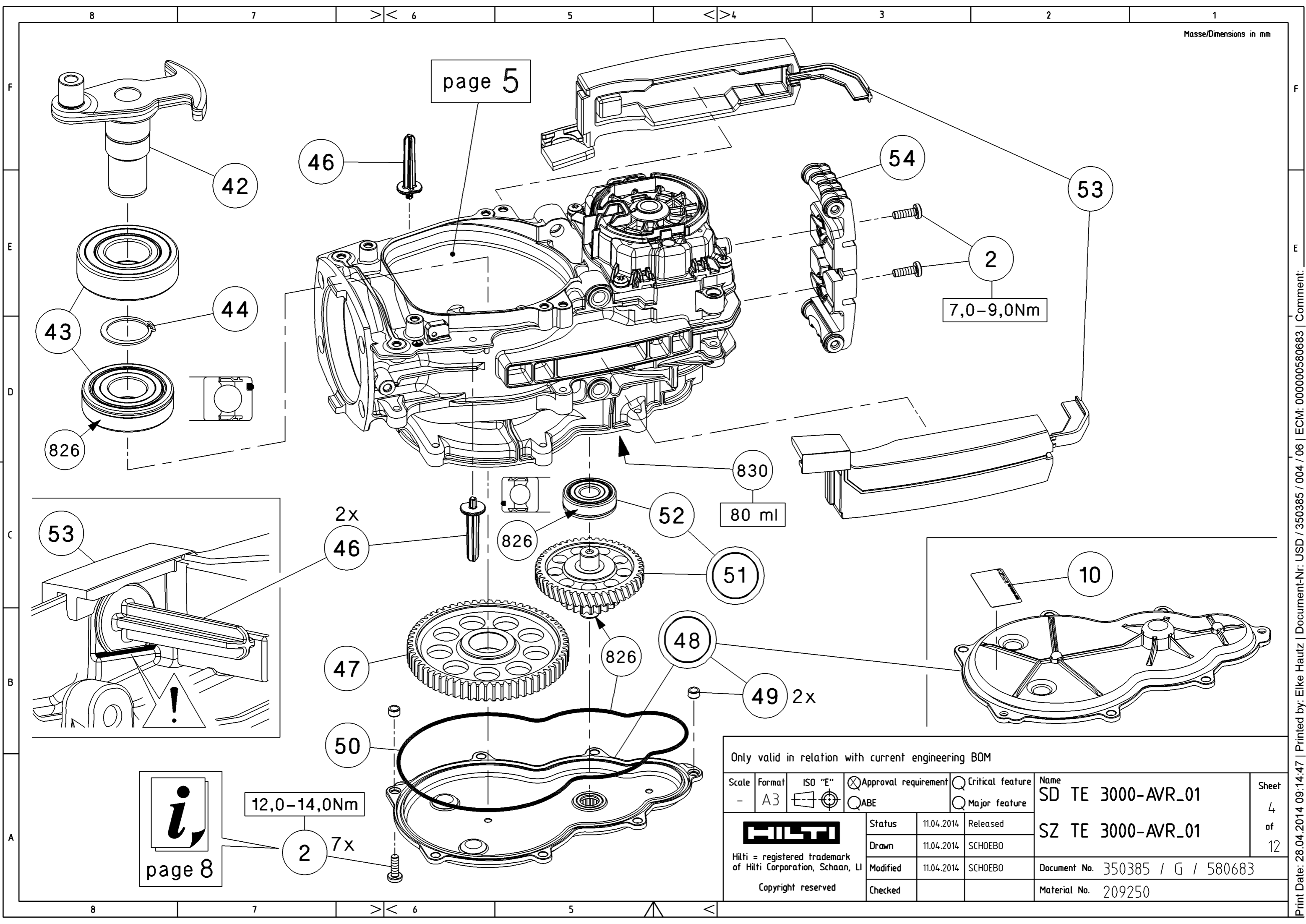
Scale	Format	ISO "E"	<input checked="" type="checkbox"/> Approval requirement	<input type="checkbox"/> Critical feature	Name	Sheet				
-	A3		<input type="checkbox"/> ABE	<input type="checkbox"/> Major feature	SD TE 3000-AVR_01		2			
<p>Hilti = registered trademark of Hilti Corporation, Schaan, LI Copyright reserved</p>					Status	11.04.2014	Released	SZ TE 3000-AVR_01 Document No. 350385 / G / 580683 Material No. 209250		
					Drawn	11.04.2014	SCHOEBO		of	
					Modified	11.04.2014	SCHOEBO			12
					Checked					



Only valid in relation with current engineering BOM

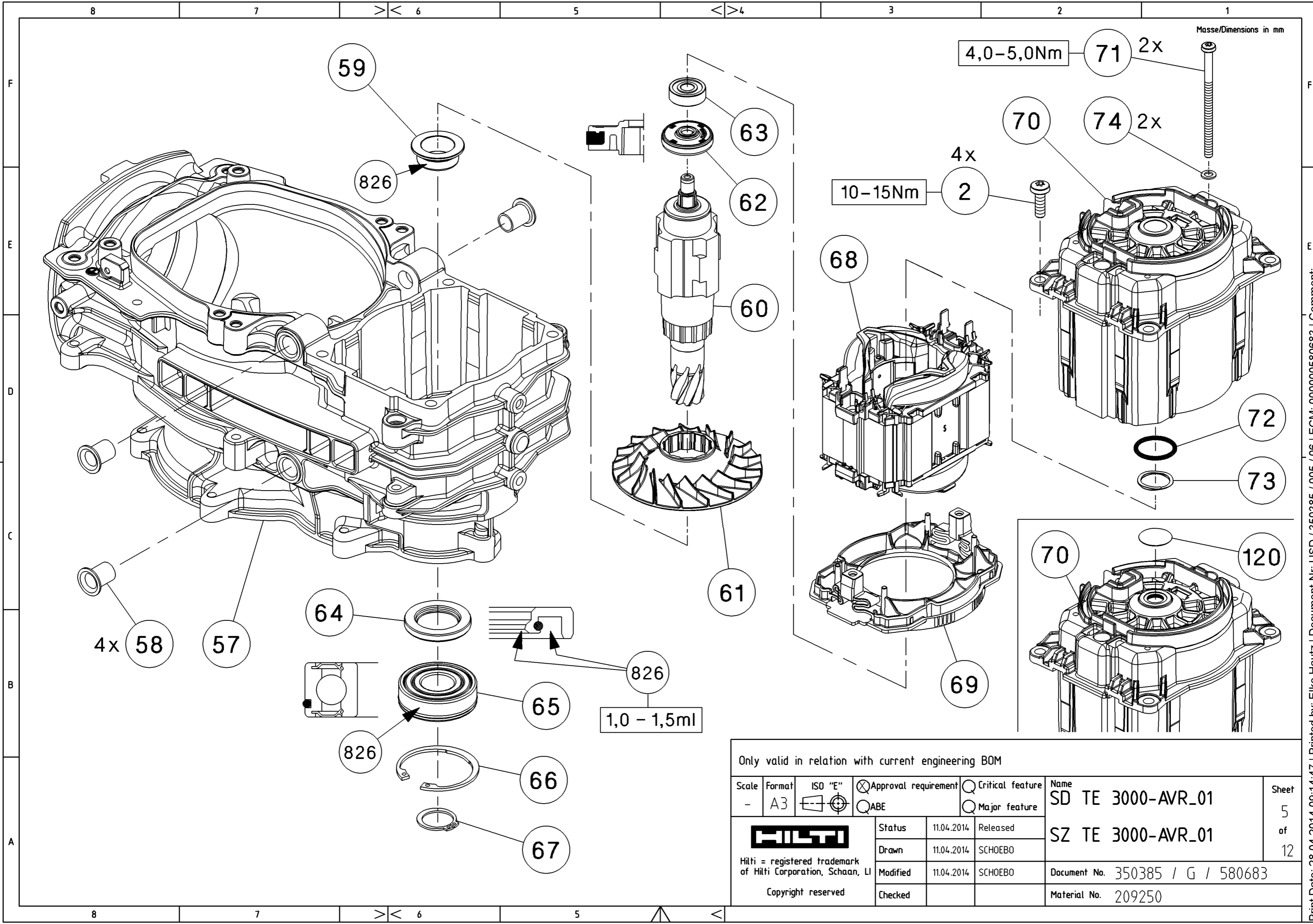
Scale	Format	ISO "E"	<input checked="" type="checkbox"/> Approval requirement	<input type="checkbox"/> Critical feature	Name	Sheet
-	A3		<input type="checkbox"/> ABE	<input type="checkbox"/> Major feature	SD TE 3000-AVR_01	
			Status	11.04.2014	Released	of 12
Hilti = registered trademark of Hilti Corporation, Schaan, LI			Drawn	11.04.2014	SCHOEBO	
Copyright reserved			Modified	11.04.2014	SCHOEBO	
			Checked			
					Document No.	350385 / G / 580683
					Material No.	209250

Print Date: 28.04.2014 09:14:46 | Printed by: Elke Hautz | Document-Nr: USD / 350385 / 003 / 06 | ECM: 00000580683 | Comment:



Only valid in relation with current engineering BOM

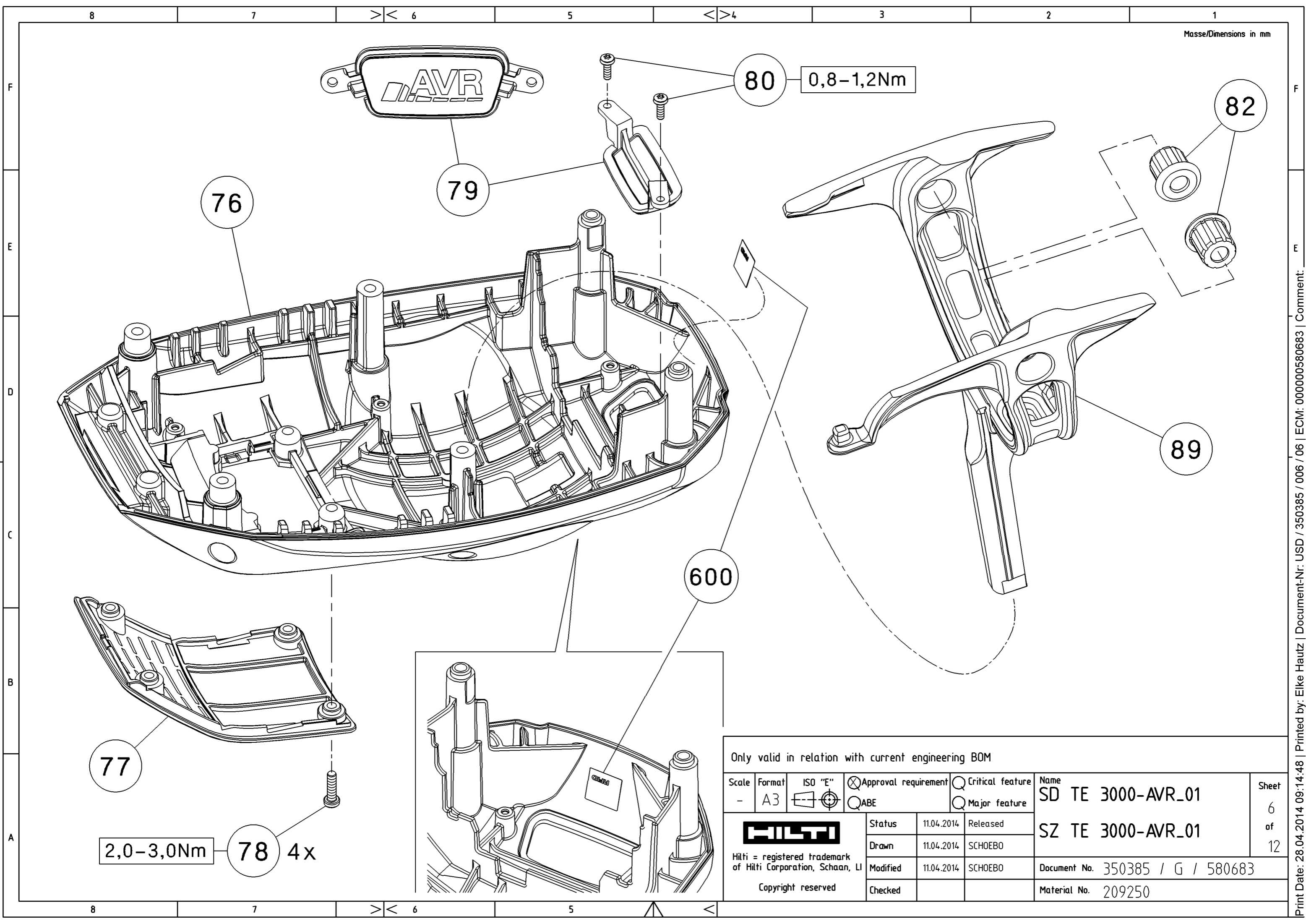
Scale	Format	ISO "E"	<input checked="" type="checkbox"/> Approval requirement	<input type="checkbox"/> Critical feature	Name	Sheet 4 of 12
-	A3		<input type="checkbox"/> ABE	<input type="checkbox"/> Major feature	SD TE 3000-AVR_01	
			Status	11.04.2014	Released	SZ TE 3000-AVR_01
Hilti = registered trademark of Hilti Corporation, Schaan, LI			Drawn	11.04.2014	SCHOEBO	
Copyright reserved			Modified	11.04.2014	SCHOEBO	
			Checked			
					Document No.	350385 / G / 580683
					Material No.	209250



Only valid in relation with current engineering BOM

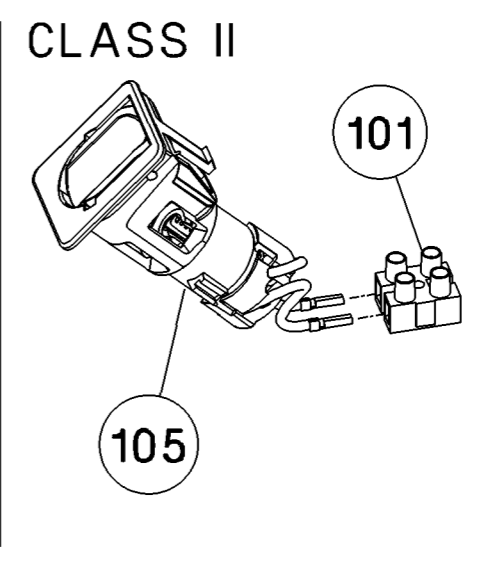
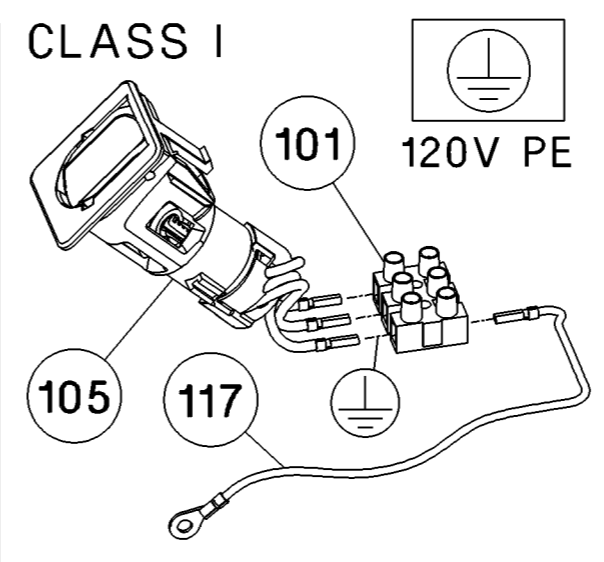
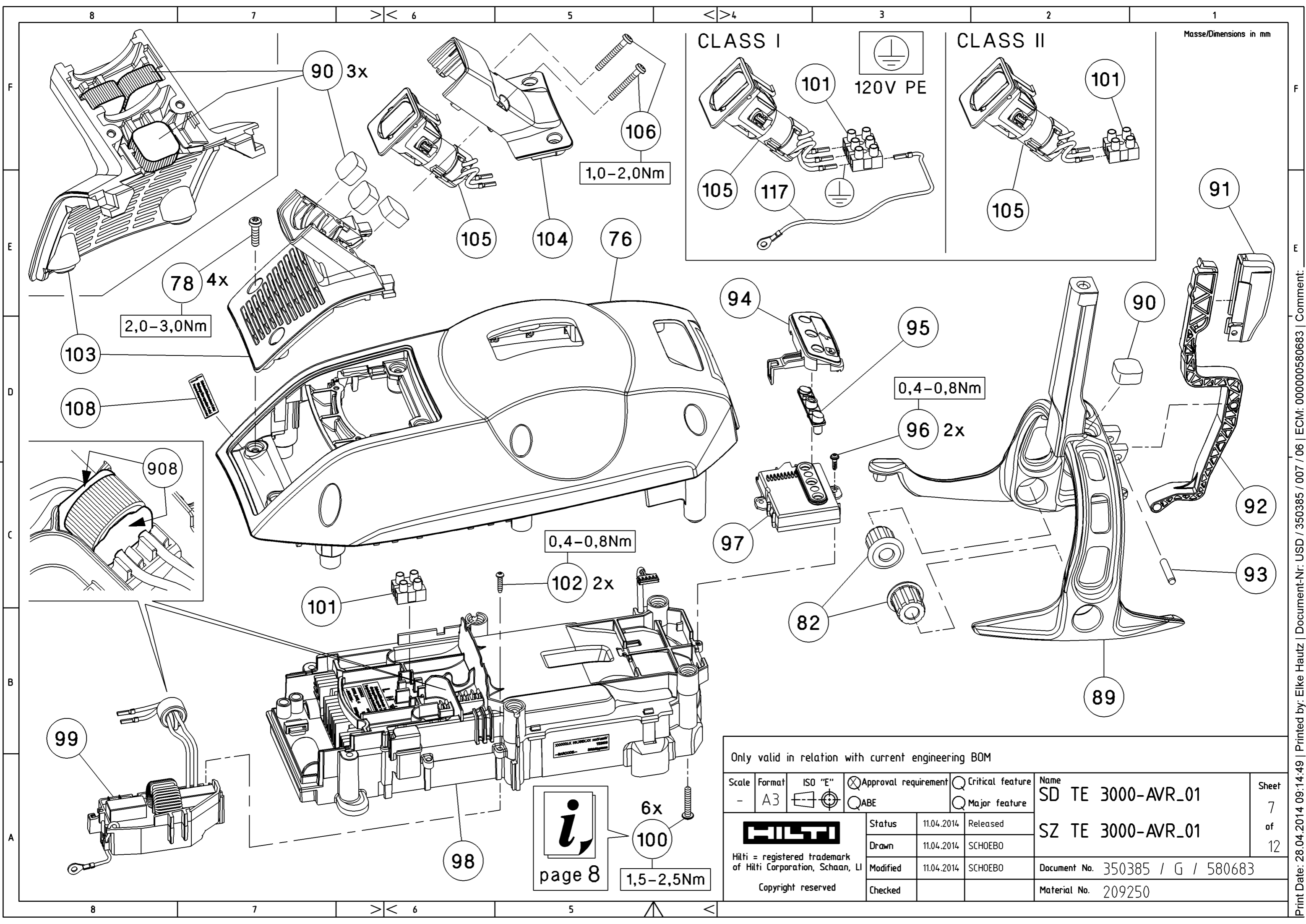
Scale	Format	ISO "E"	<input checked="" type="checkbox"/> Approval requirement	<input type="checkbox"/> Critical feature	Name	Sheet
-	A3		<input type="checkbox"/> ABE	<input type="checkbox"/> Major feature	SD TE 3000-AVR_01	5
			Status	11.04.2014	Released	12
Hilti = registered trademark of Hilti Corporation, Schaan, LI			Drawn	11.04.2014	SCHOEBO	
Copyright reserved			Modified	11.04.2014	SCHOEBO	
			Checked			
					Document No.	350385 / G / 580683
					Material No.	209250

Print Date: 28.04.2014 09:14:47 | Printed by: Elke Hautz | Document-Nr: USD / 350385 / 005 / 06 | ECM: 00000580683 | Comment:



Only valid in relation with current engineering BOM

Scale	Format	ISO "E"	<input checked="" type="checkbox"/> Approval requirement	<input type="checkbox"/> Critical feature	Name	Sheet		
-	A3		<input type="checkbox"/> ABE	<input type="checkbox"/> Major feature	SD TE 3000-AVR_01		6	
 Hilti = registered trademark of Hilti Corporation, Schaan, LI Copyright reserved					Status	11.04.2014	Released	SZ TE 3000-AVR_01 Document No. 350385 / G / 580683 Material No. 209250
					Drawn	11.04.2014	SCHOEBO	
Modified	11.04.2014	SCHOEBO						
Checked								



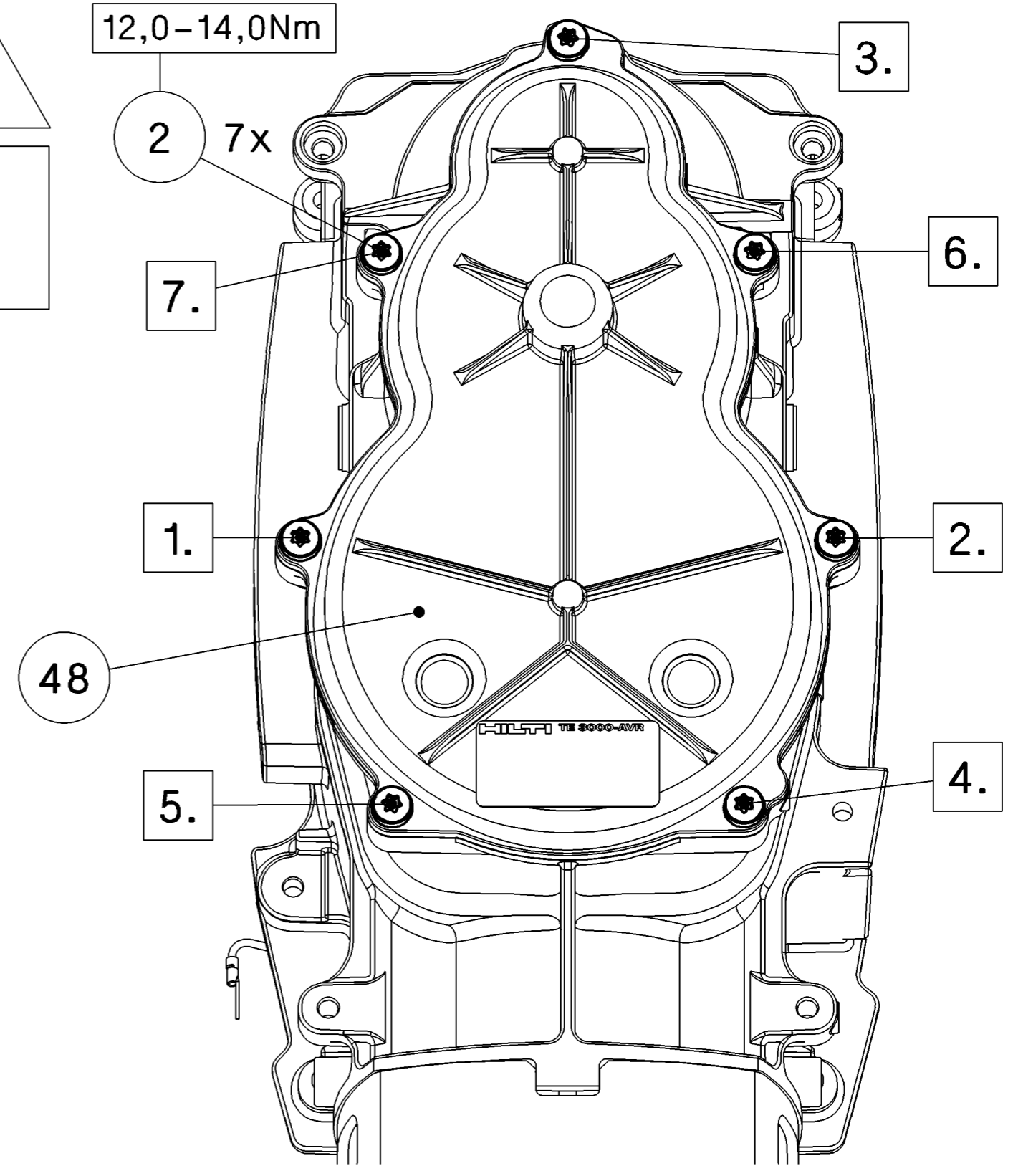
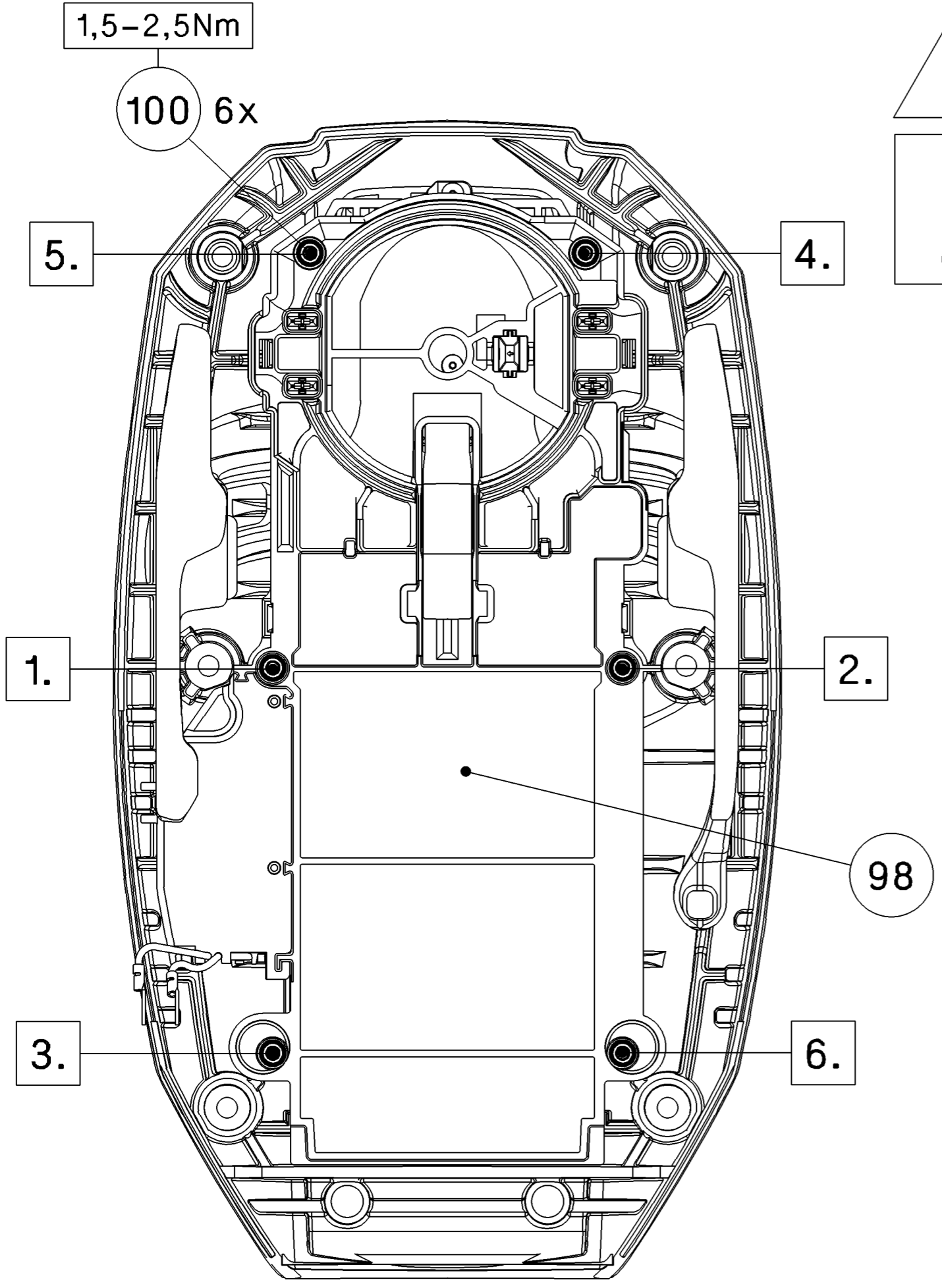
Masse/Dimensions in mm

Only valid in relation with current engineering BOM

Scale	Format	ISO "E"	<input checked="" type="checkbox"/> Approval requirement	<input type="checkbox"/> Critical feature	Name	Sheet
-	A3		<input type="checkbox"/> ABE	<input type="checkbox"/> Major feature	SD TE 3000-AVR_01	7
 Hilti = registered trademark of Hilti Corporation, Schaan, LI Copyright reserved					Status	11.04.2014 Released
					Drawn	11.04.2014 SCHOEBO
					Modified	11.04.2014 SCHOEBO
					Checked	
					SZ TE 3000-AVR_01	of 12
					Document No. 350385 / G / 580683	
					Material No. 209250	

**i**  
page 8

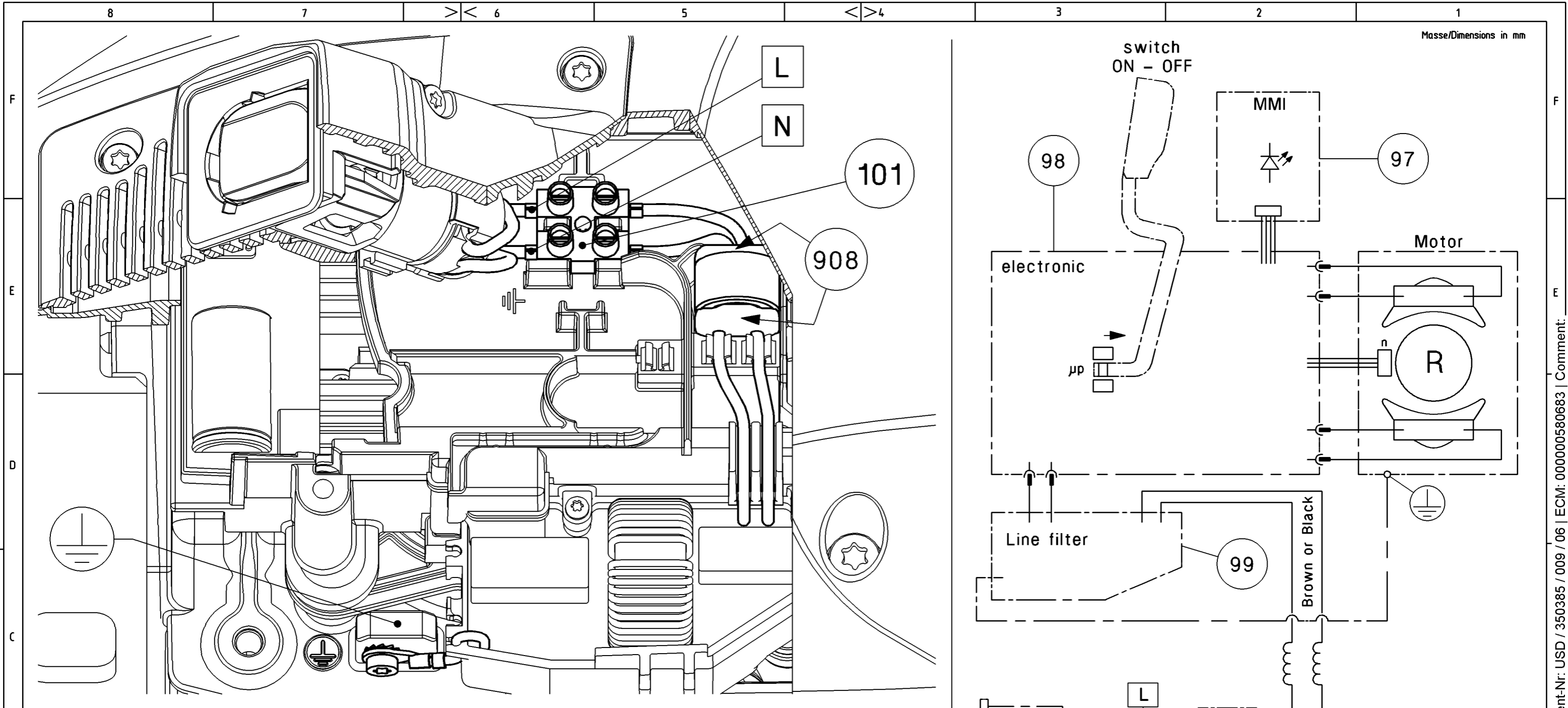
Print Date: 28.04.2014 09:14:49 | Printed by: Elke Hantz | Document-Nr: USD / 350385 / 007 / 06 | ECM: 00000580683 | Comment:



Only valid in relation with current engineering BOM

Scale	Format	ISO "E"	<input checked="" type="checkbox"/> Approval requirement	<input type="checkbox"/> Critical feature	Name	Sheet
-	A3		<input type="checkbox"/> ABE	<input type="checkbox"/> Major feature	SD TE 3000-AVR_01	
			Status	11.04.2014	Released	8 of 12
Hilti = registered trademark of Hilti Corporation, Schaan, LI			Drawn	11.04.2014	SCHOEBO	
Copyright reserved			Modified	11.04.2014	SCHOEBO	
			Checked			
					Document No.	350385 / G / 580683
					Material No.	209250

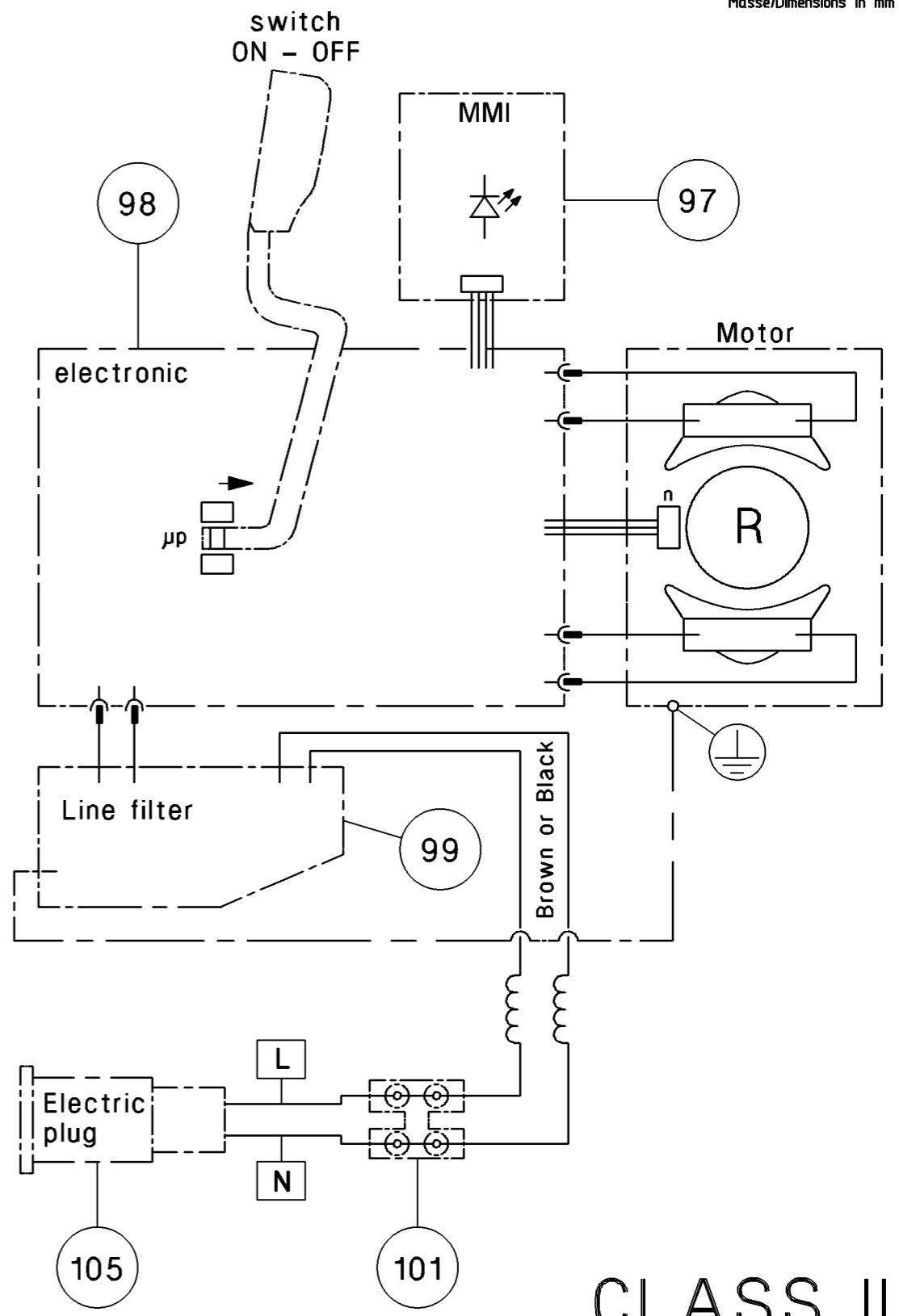




Masse/Dimensions in mm

SPL No.	L / N
209250	Brown or Black
345774	Brown or Black
345775	Brown or Black
345777	Brown or Black
345779	Brown or Black
345780	Brown or Black
345782	Brown or Black
2009854	Brown or Black
2046670	Brown or Black

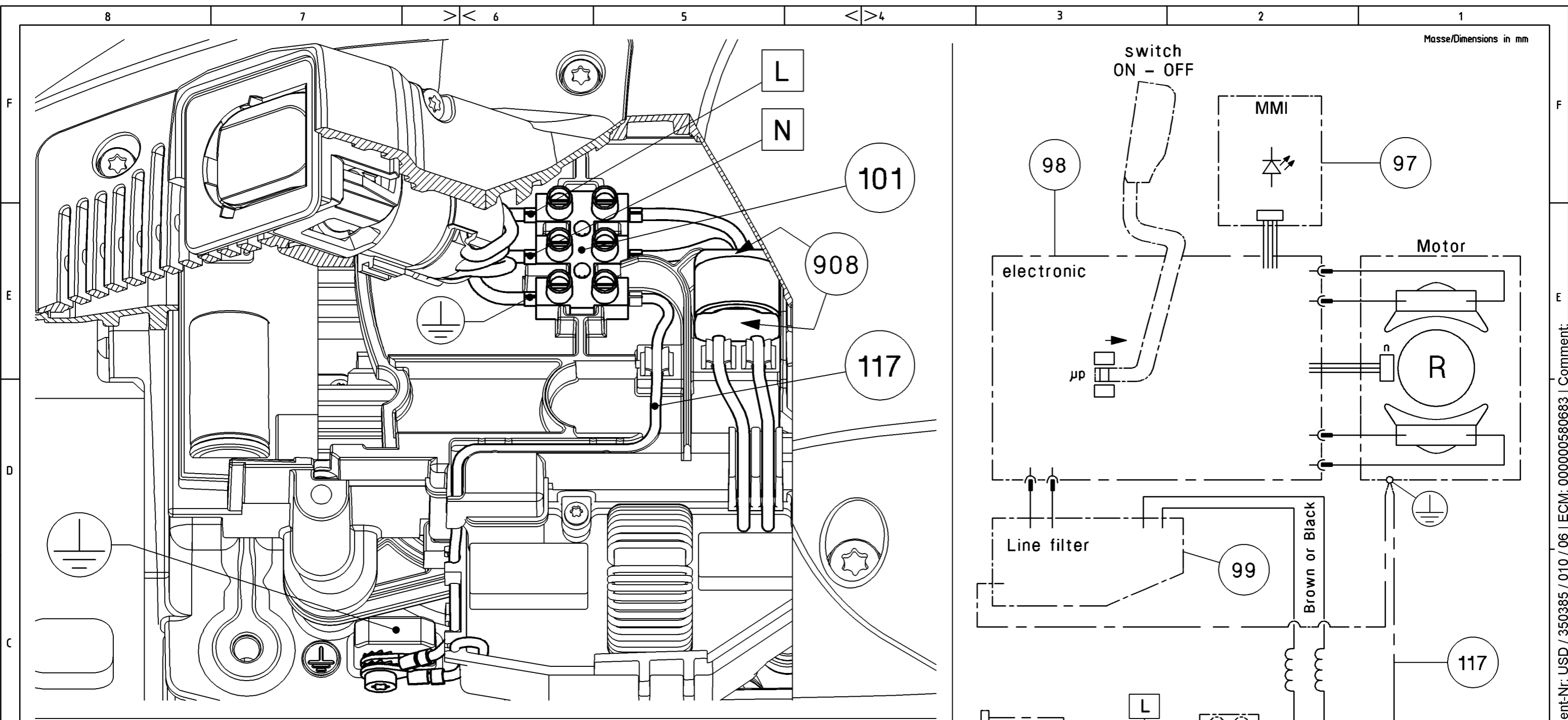
SPL No.	L	N
2048011	Black	White



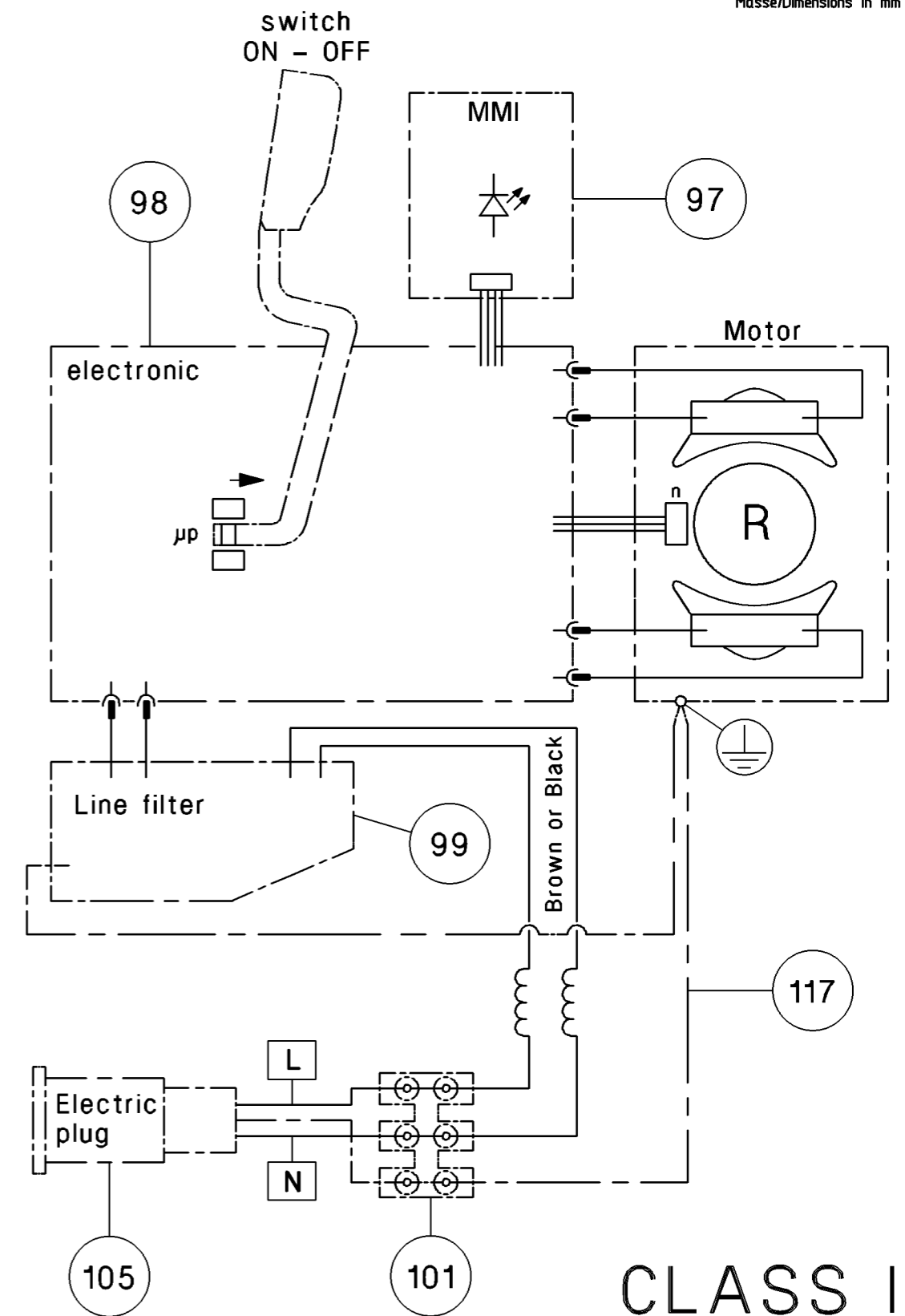
CLASS II

Only valid in relation with current engineering BOM					Name SD TE 3000-AVR_01	Sheet 9 of 12
Scale -	Format A3	ISO "E" 	<input checked="" type="checkbox"/> Approval requirement <input type="checkbox"/> ABE	<input type="checkbox"/> Critical feature <input type="checkbox"/> Major feature		
		Status 11.04.2014 Released	SZ TE 3000-AVR_01		Document No. 350385 / G / 580683	
Hilti = registered trademark of Hilti Corporation, Schaan, LI		Drawn 11.04.2014 SCHOEBO	Material No. 209250			
Copyright reserved		Modified 11.04.2014 SCHOEBO				

Print Date: 28.04.2014 09:14:53 | Printed by: Elke Hantz | Document-Nr: USD / 350385 / 009 / 06 | ECM: 00000580683 | Comment:



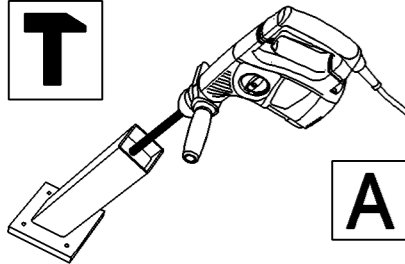
SPL No.	L	N	120V PE
345776	Black	White	Yellow-Green
345783	Black	White	Yellow-Green

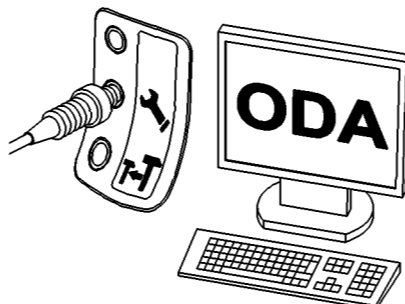


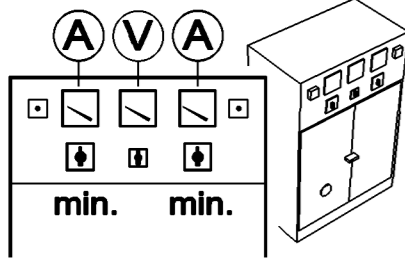
Only valid in relation with current engineering BOM

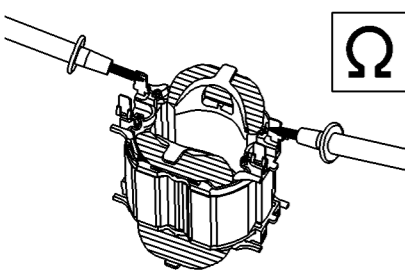
Scale	Format	ISO "E"	<input checked="" type="checkbox"/> Approval requirement	<input type="checkbox"/> Critical feature	Name	Sheet	
-	A3		<input type="checkbox"/> ABE	<input type="checkbox"/> Major feature	SD TE 3000-AVR_01		
 Hilti = registered trademark of Hilti Corporation, Schaan, LI Copyright reserved					Status	11.04.2014	Released
					Drawn	11.04.2014	SCHOEBO
					SZ TE 3000-AVR_01	10	
					Modified	11.04.2014	SCHOEBO
					Checked		
					Document No.	350385 / G / 580683	
					Material No.	209250	

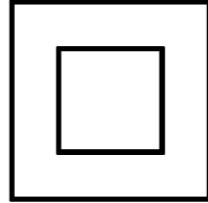
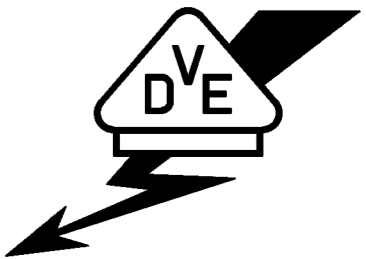
Print Date: 28.04.2014 09:14:54 | Printed by: Elke Hantz | Document-Nr: USD / 350385 / 010 / 06 | ECM: 00000580683 | Comment:

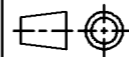

	100V	16,0–19,0A
	110–120V	14,0–19,0A
	220–240V	7,0–10,0A

	Serial number	
	< 10,000	45–50h
	10,000–40,000	90–100h
	> 40,000	120–130h
	or Empty hits	
> 40,000	95,000–100,000	

	100V	7,0–11,0A
	110–120V	6,0–10,0A
	220–240V	3,0–6,0A

	110–240V	0,86 – 0,96 Ω
--	----------	---------------

	
Electrical safety test according VDE 0701 / 0702  or  High voltage test according operation instruction SECUTEST	

Only valid in relation with current engineering BOM						Name <b>SD TE 3000-AVR_01</b>	Sheet 11 of 12
Scale -	Format A3	ISO "E" 	<input checked="" type="checkbox"/> Approval requirement <input type="checkbox"/> ABE	<input checked="" type="checkbox"/> Critical feature <input type="checkbox"/> Major feature	Status 11.04.2014 Released		
 Hilti = registered trademark of Hilti Corporation, Schaan, LI  Copyright reserved		Drawn 11.04.2014 SCHOEBO	Modified 11.04.2014 SCHOEBO	Checked	Name <b>SZ TE 3000-AVR_01</b>  Document No. 350385 / G / 580683  Material No. 209250		