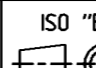


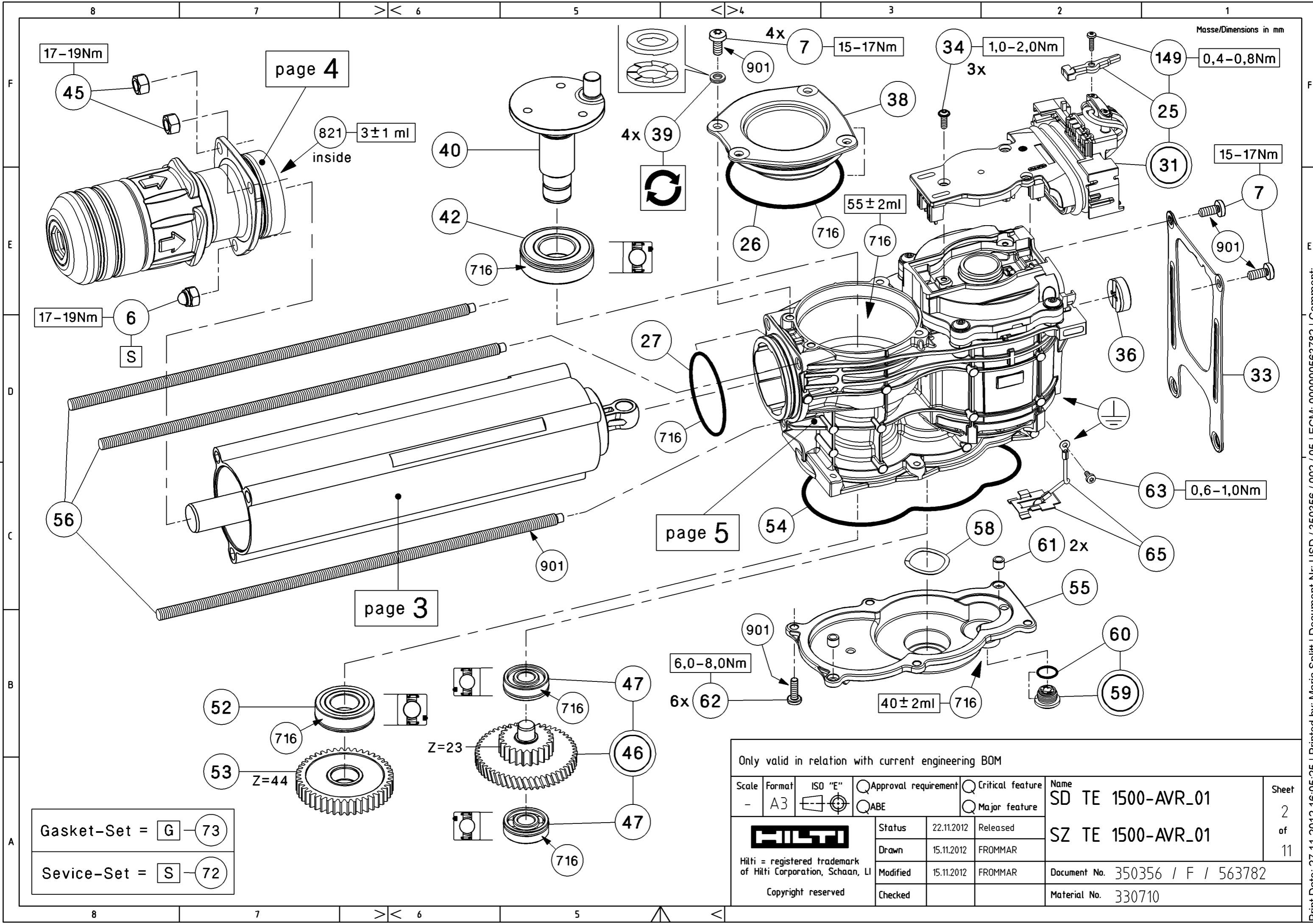
AVR-Set = AVR 102  
 Service-Set = S 72

200   
 TPS2 -Theft protection System

Only valid in relation with current engineering BOM

Scale	Format	ISO "E"	<input type="checkbox"/> Approval requirement	<input type="checkbox"/> Critical feature	Name	Sheet
-	A3		<input type="checkbox"/> ABE	<input type="checkbox"/> Major feature	SD TE 1500-AVR_01	1
					SZ TE 1500-AVR_01	of
					Document No. 350356 / F / 563782	11
					Material No. 330710	

**HILTI**  
 Hilti = registered trademark  
 of Hilti Corporation, Schaan, LI  
 Copyright reserved



page 4

page 3

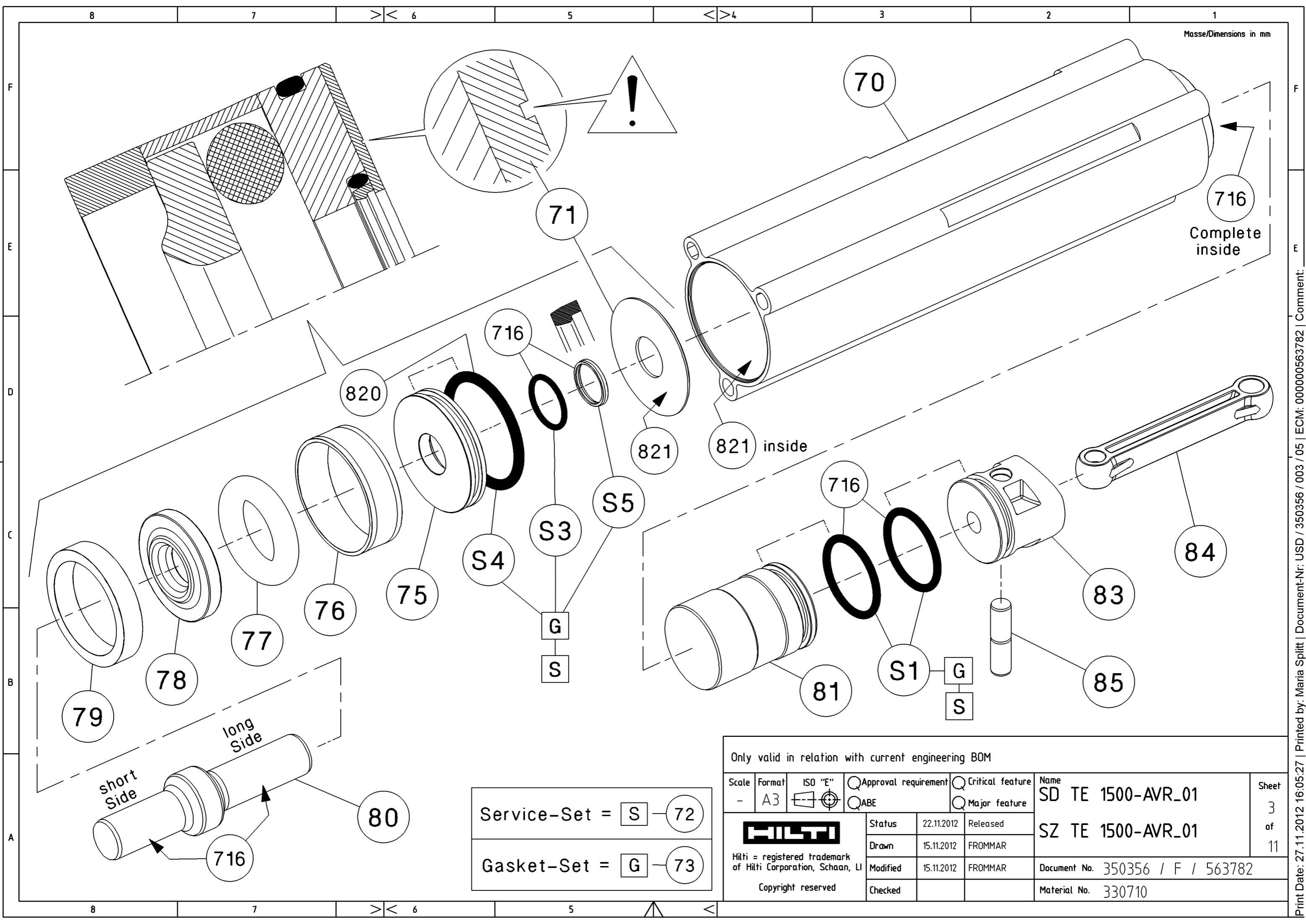
page 5

Gasket-Set = G-73  
 Service-Set = S-72

Only valid in relation with current engineering BOM

Scale	Format	ISO "E"	<input type="checkbox"/> Approval requirement	<input type="checkbox"/> Critical feature	Name	Sheet
-	A3		<input type="checkbox"/> ABE	<input type="checkbox"/> Major feature	SD TE 1500-AVR_01	2
 Hilti = registered trademark of Hilti Corporation, Schaan, LI Copyright reserved					Status	22.11.2012 Released
					Drawn	15.11.2012 FROMMAR
					Modified	15.11.2012 FROMMAR
					Checked	
					SZ TE 1500-AVR_01	of 11
					Document No.	350356 / F / 563782
					Material No.	330710

Print Date: 27.11.2012 16:05:25 | Printed by: Maria Splitt | Document-Nr: USD / 350356 / 002 / 05 | ECM: 00000563782 | Comment:



Masse/Dimensions in mm

71

70

716

Complete inside

820

716

821

821 inside

S5

S4

S3

716

84

83

85

81

S1

G

S

long Side

short Side

80

716

Service-Set = **S** - 72

Gasket-Set = **G** - 73

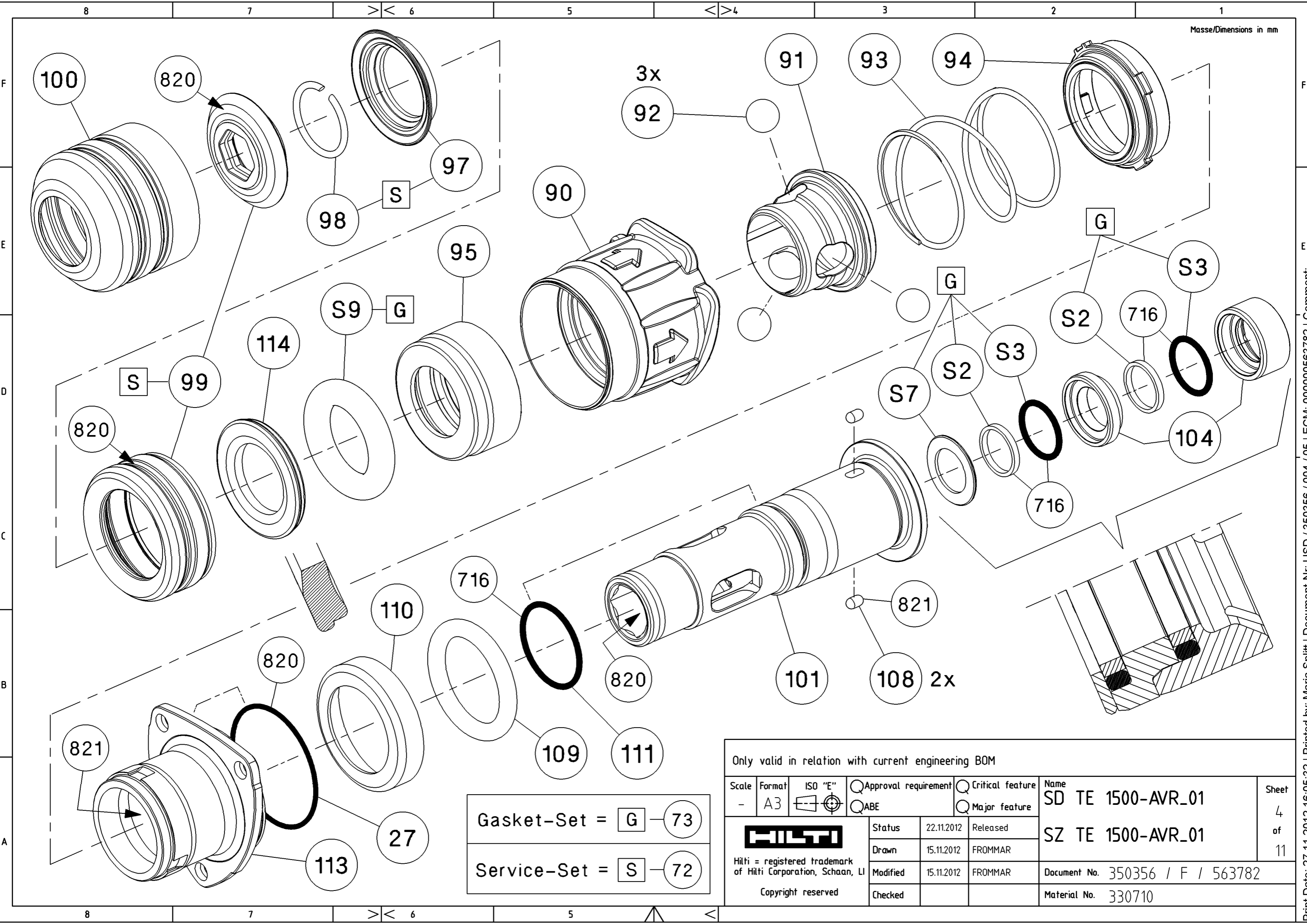
Only valid in relation with current engineering BOM

Scale	Format	ISO "E"	<input type="checkbox"/> Approval requirement	<input type="checkbox"/> Critical feature
-	A3		<input type="checkbox"/> ABE	<input type="checkbox"/> Major feature

<b>HILTI</b> Hilti = registered trademark of Hilti Corporation, Schaan, LI Copyright reserved	Status	22.11.2012	Released
	Drawn	15.11.2012	FROMMAR
	Modified	15.11.2012	FROMMAR
	Checked		

Name	SD TE 1500-AVR_01	Sheet	3
	SZ TE 1500-AVR_01		of
			11
Document No.	350356 / F / 563782		
Material No.	330710		

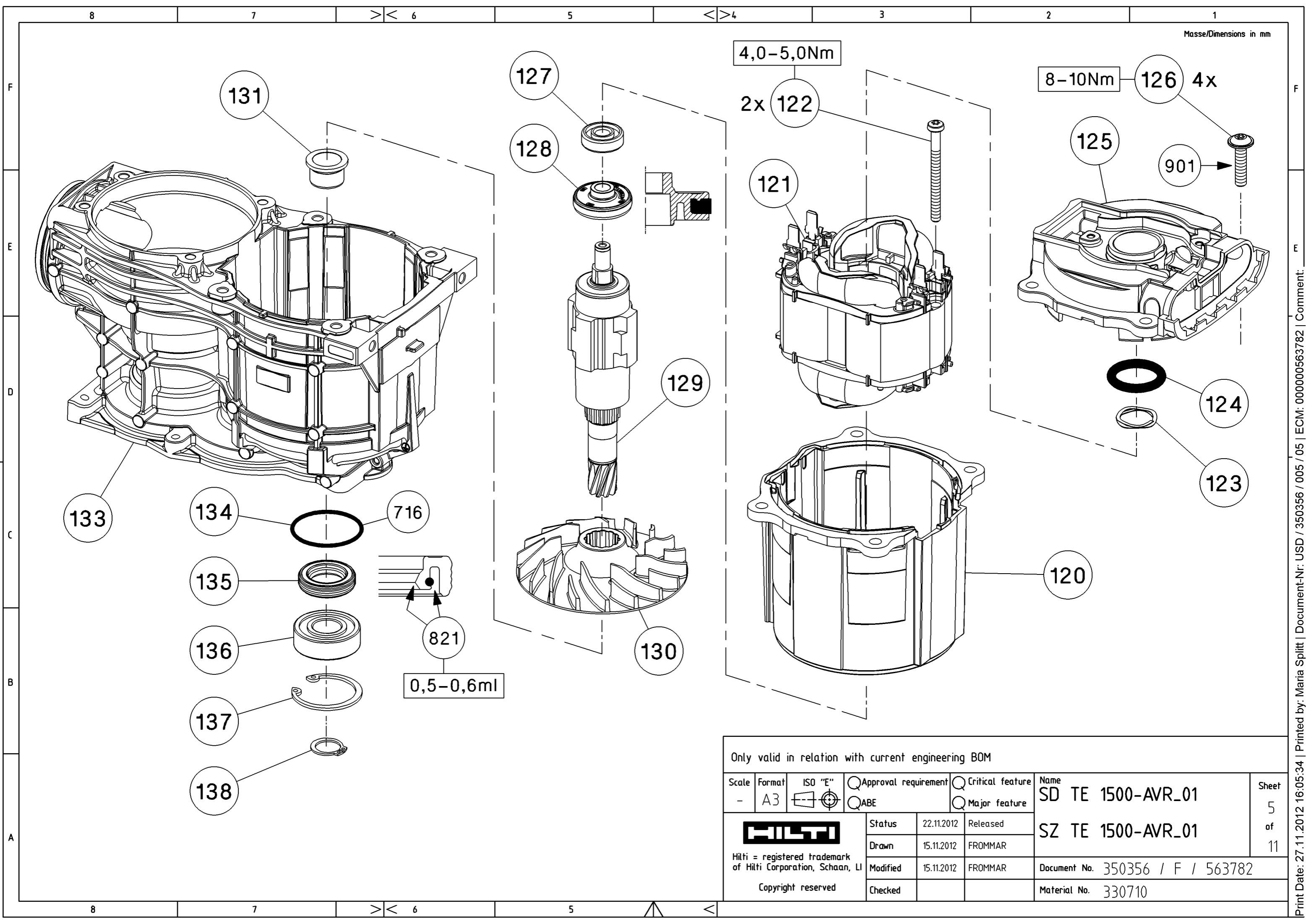
Print Date: 27.11.2012 16:05:27 | Printed by: Maria Splitt | Document-Nr: USD / 350356 / 003 / 05 | ECM: 00000563782 | Comment:



- Gasket-Set = G 73
- Service-Set = S 72

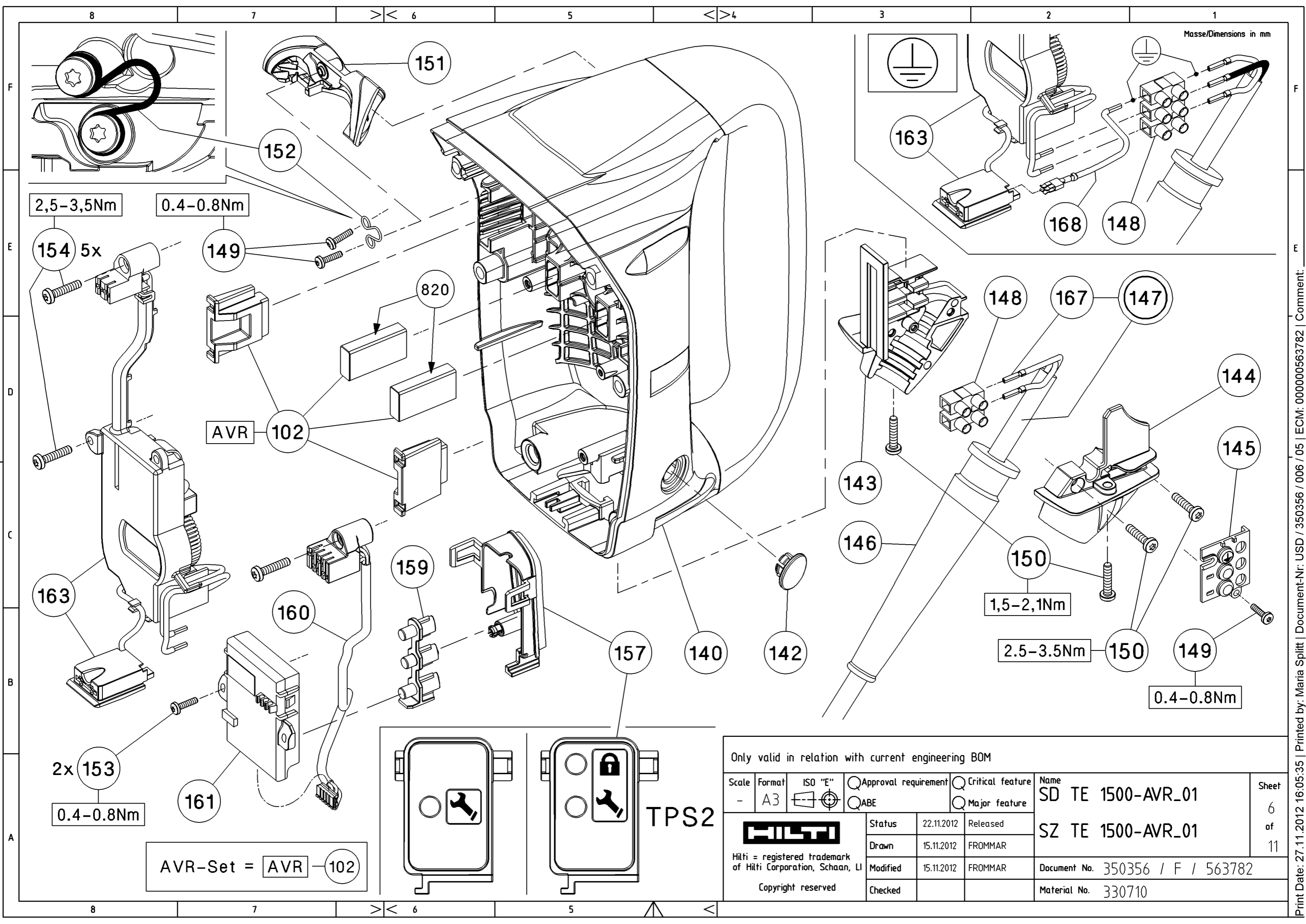
Only valid in relation with current engineering BOM

Scale	Format	ISO "E"	<input type="checkbox"/> Approval requirement	<input type="checkbox"/> Critical feature	Name	Sheet
-	A3		<input type="checkbox"/> ABE	<input type="checkbox"/> Major feature	SD TE 1500-AVR_01	4
					Status	22.11.2012 Released
					Drawn	15.11.2012 FROMMAR
Hilti = registered trademark of Hilti Corporation, Schaan, LI Copyright reserved					Modified	15.11.2012 FROMMAR
					Checked	
					SZ TE 1500-AVR_01	of 11
					Document No.	350356 / F / 563782
					Material No.	330710



Only valid in relation with current engineering BOM

Scale	Format	ISO "E"	<input type="checkbox"/> Approval requirement	<input type="checkbox"/> Critical feature	Name	Sheet
-	A3		<input type="checkbox"/> ABE	<input type="checkbox"/> Major feature	SD TE 1500-AVR_01	5
			Status	22.11.2012	Released	11
Hilti = registered trademark of Hilti Corporation, Schaan, LI			Drawn	15.11.2012	FROMMAR	
Copyright reserved			Modified	15.11.2012	FROMMAR	
			Checked			
					SZ TE 1500-AVR_01	
					Document No. 350356 / F / 563782	
					Material No. 330710	



Masse/Dimensions in mm

2,5-3,5Nm

0.4-0.8Nm

154 5x

149

820

AVR 102

163

160

159

157

140

142

143

146

1,5-2,1Nm

150

2.5-3.5Nm

150

149

0.4-0.8Nm

2x 153

0.4-0.8Nm

161

AVR-Set = AVR - 102

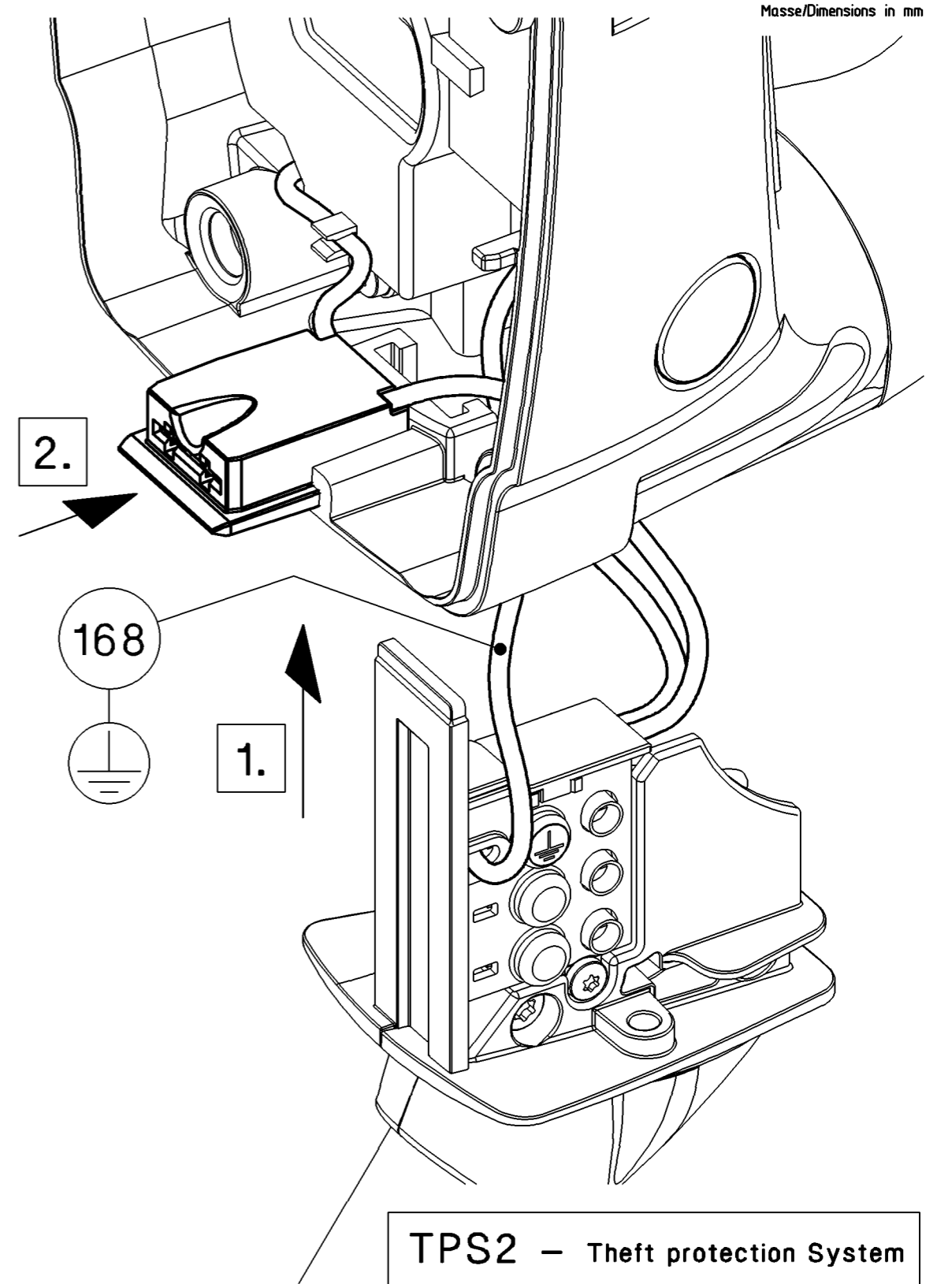
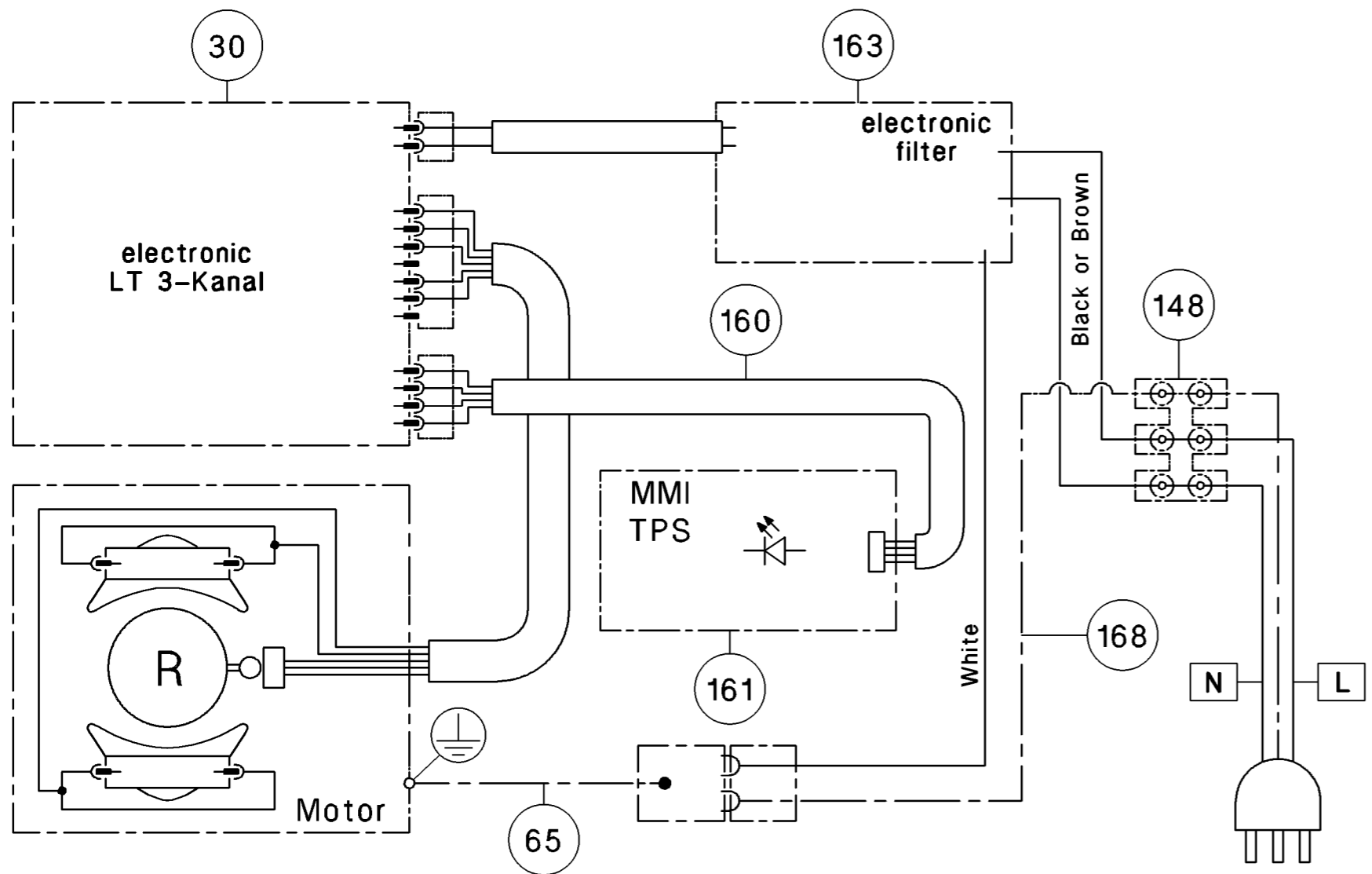
TPS2

Only valid in relation with current engineering BOM

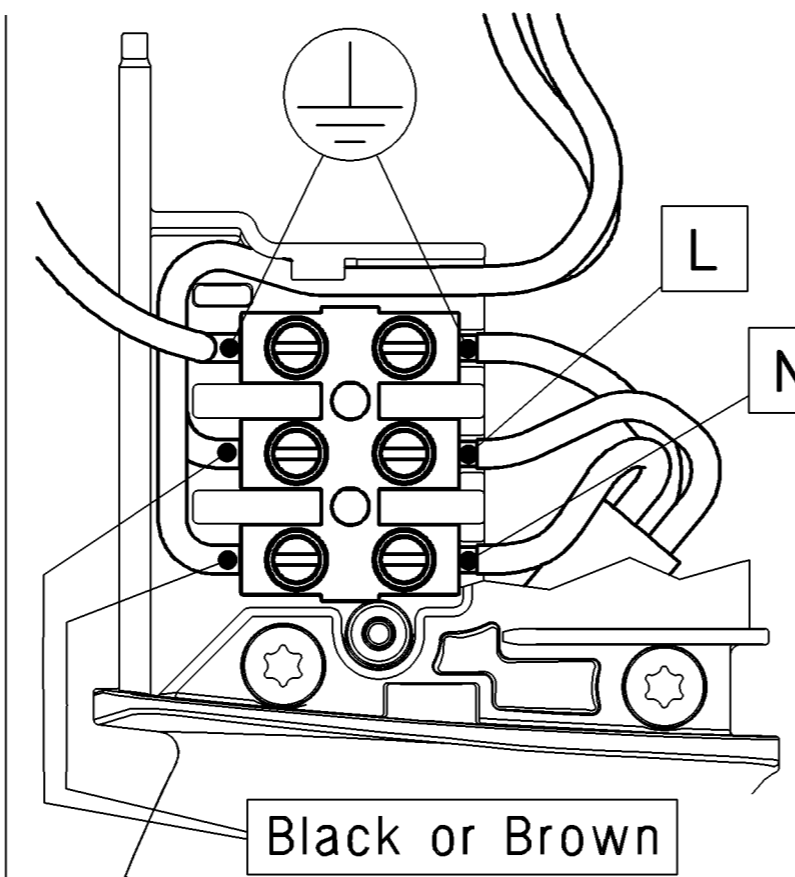
Scale	Format	ISO "E"	<input type="checkbox"/> Approval requirement	<input type="checkbox"/> Critical feature	Name	Sheet
-	A3		<input type="checkbox"/> ABE	<input type="checkbox"/> Major feature	SD TE 1500-AVR_01	6
 Hilti = registered trademark of Hilti Corporation, Schaan, LI Copyright reserved					Status	22.11.2012 Released
					Drawn	15.11.2012 FROMMAR
					Modified	15.11.2012 FROMMAR
					Checked	
					SZ TE 1500-AVR_01	of 11
					Document No.	350356 / F / 563782
					Material No.	330710

Print Date: 27.11.2012 16:05:35 | Printed by: Maria Splitt | Document-Nr: USD / 350356 / 006 / 05 | ECM: 00000563782 | Comment:



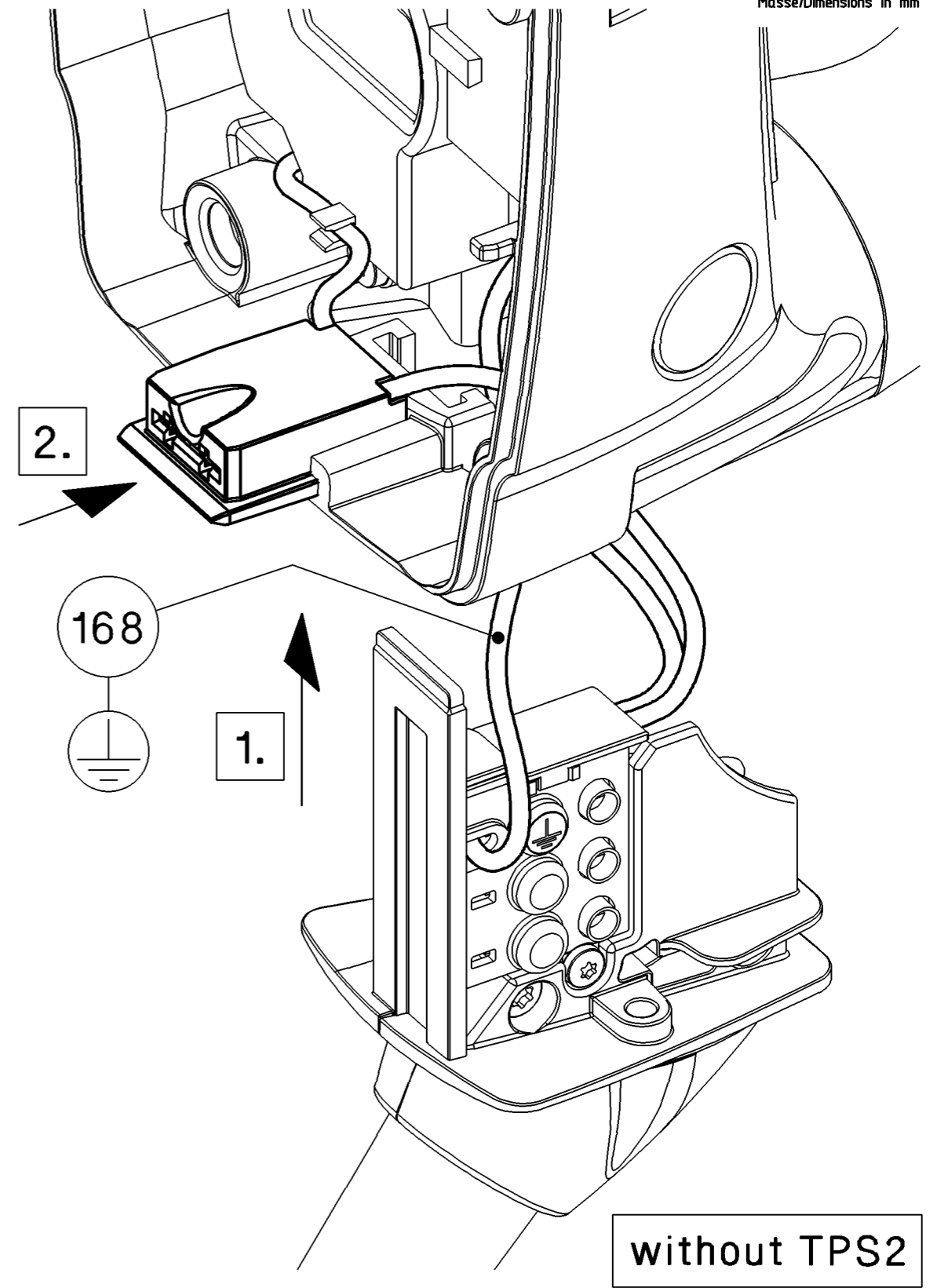
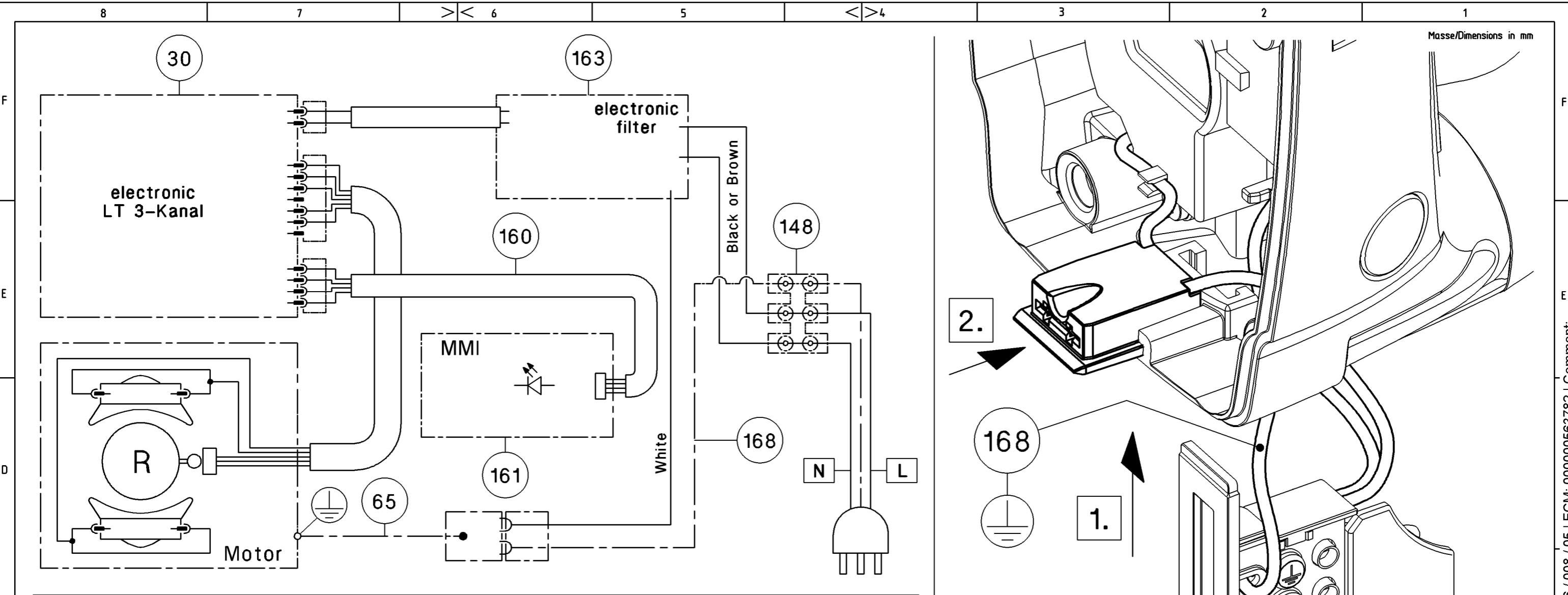


SPL No.	L	N		168
330710	Brown	Blue	-	-
359850	Brown	Blue	-	-
359851	Brown	Blue	-	-
359852	Black	White	Green	X
359853	Brown	Blue	-	-
2009350	Brown	Blue	-	-

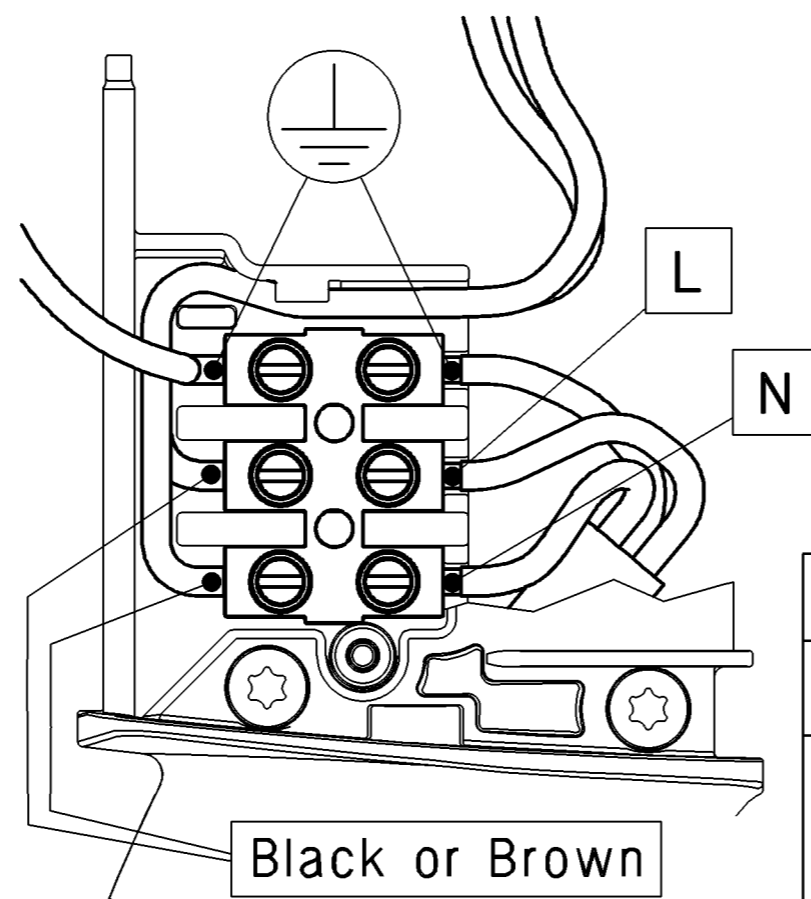


Only valid in relation with current engineering BOM

Scale	Format	ISO "E"	<input type="checkbox"/> Approval requirement	<input type="checkbox"/> Critical feature	Name	Sheet
-	A3		<input type="checkbox"/> ABE	<input type="checkbox"/> Major feature	SD TE 1500-AVR_01	
			Status	22.11.2012	Released	7 of 11
Hilti = registered trademark of Hilti Corporation, Schaan, LI Copyright reserved			Drawn	15.11.2012	FROMMAR	
			Modified	15.11.2012	FROMMAR	
			Checked			
					SZ TE 1500-AVR_01	
					Document No.	350356 / F / 563782
					Material No.	330710



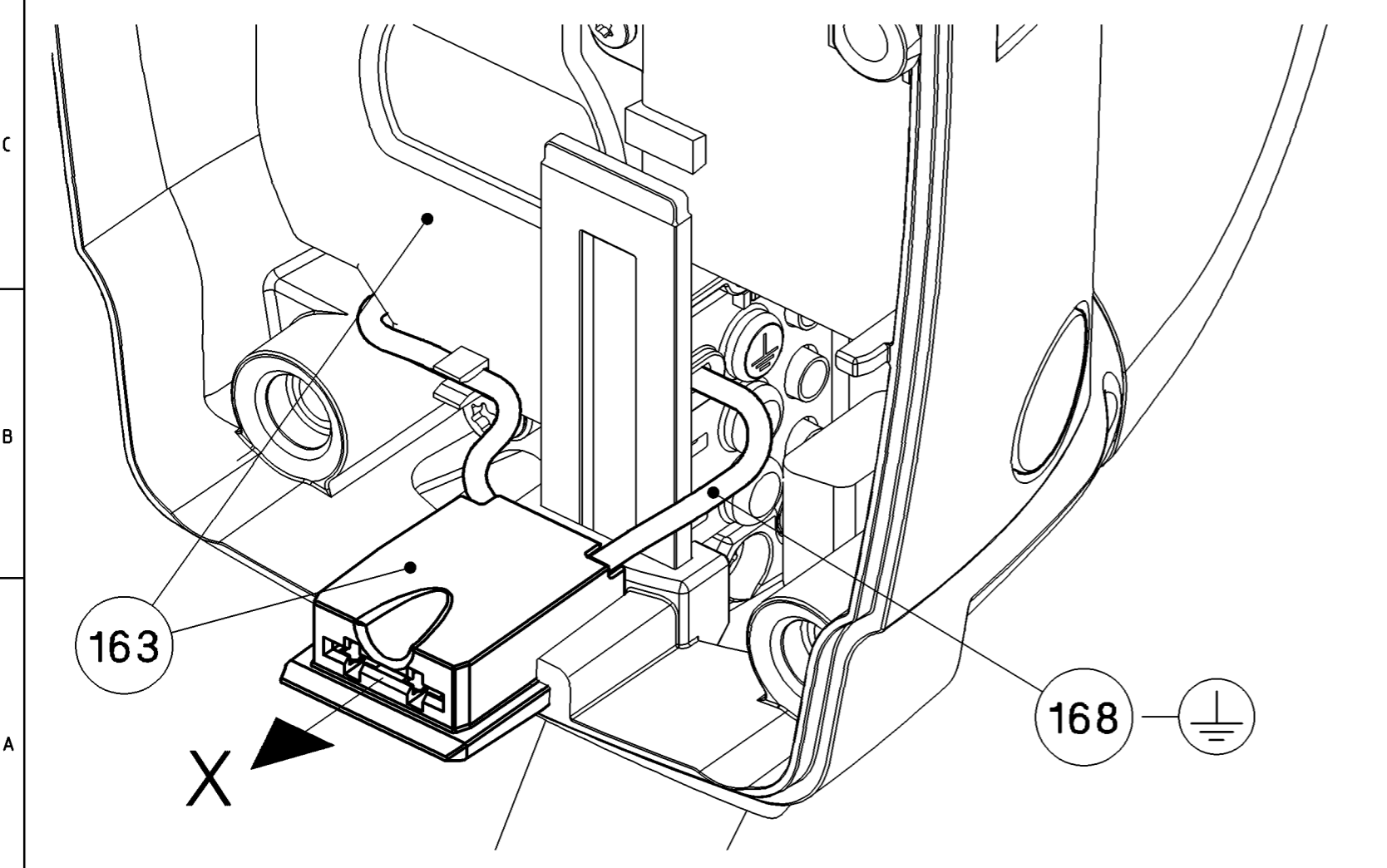
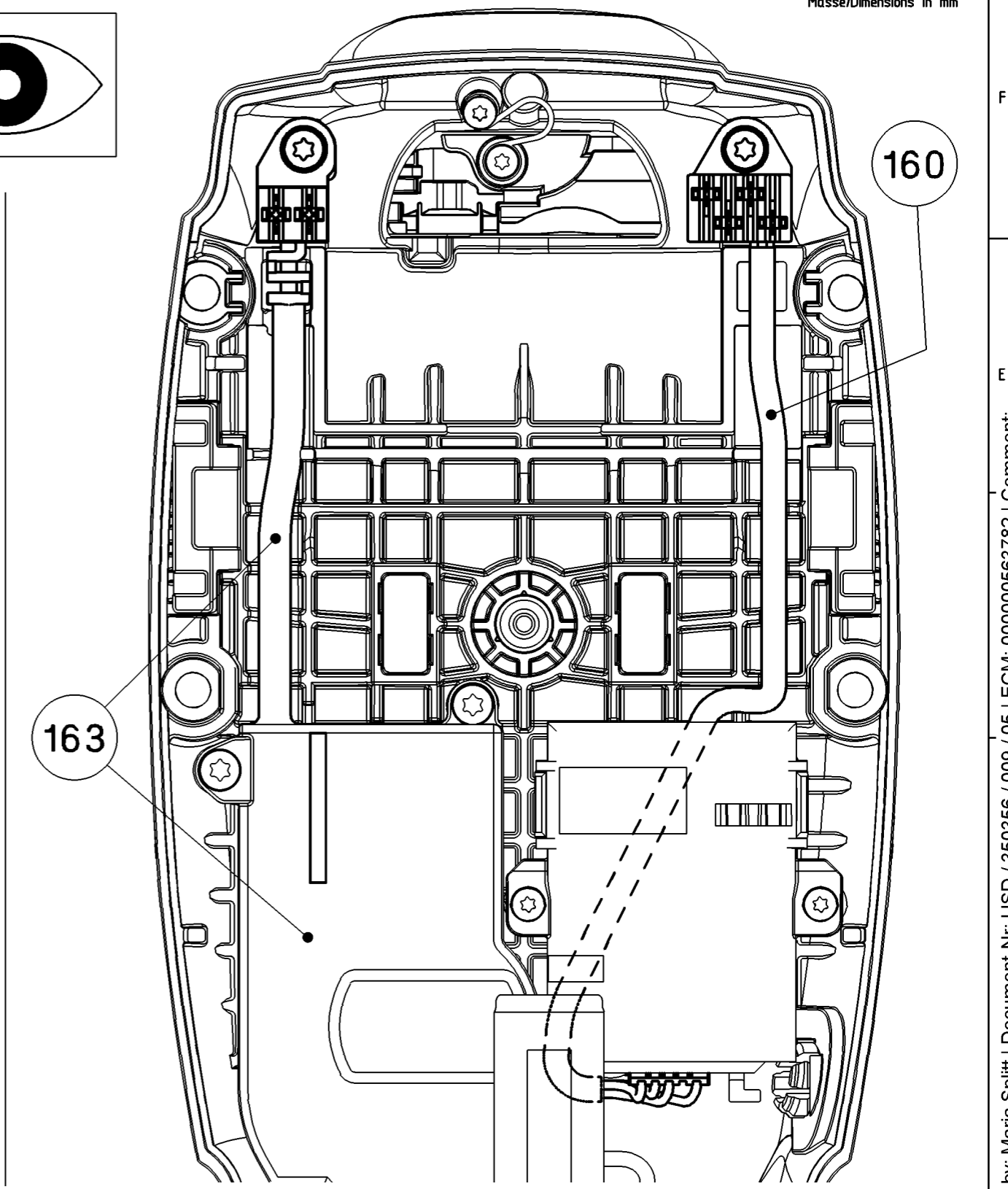
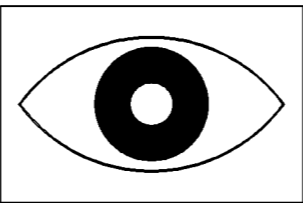
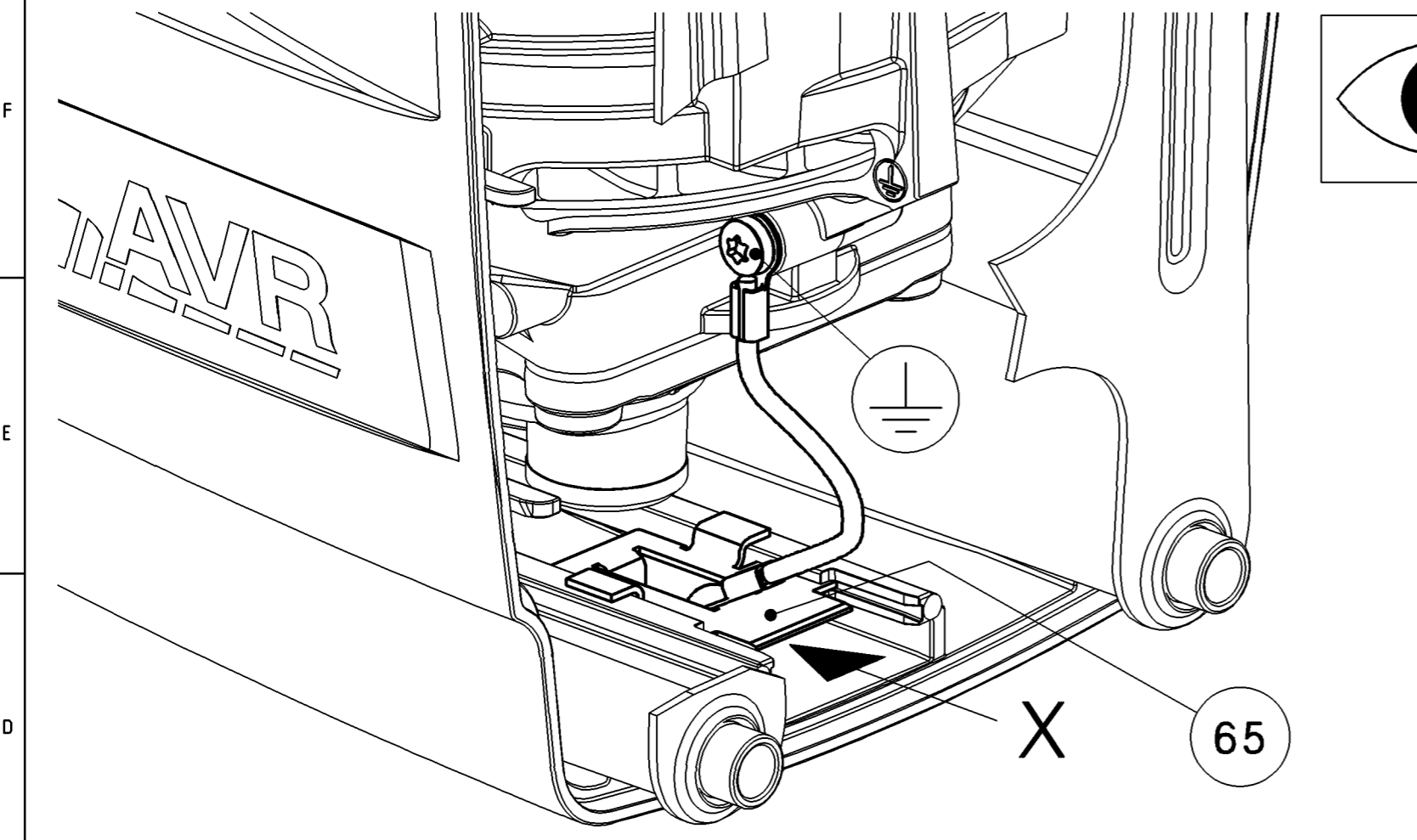
SPL No.	L	N		168
259849	Brown	Blue	-	-
355319	Brown	Blue	-	-
359837	Brown	Blue	-	-
359839	Brown	Blue	-	-
359840	Brown	Blue	-	-
359841	Brown	Blue	-	-
359842	Brown	Blue	-	-
359843	Brown	Blue	-	-
359844	Black	White	Green	X
359845	Brown	Blue	-	-
359846	Black	White	-	-
359847	Black	White	-	-
359849	Brown	Blue	-	-
438960	Brown	Blue	-	-



Only valid in relation with current engineering BOM

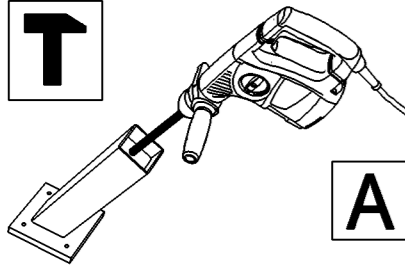
Scale	Format	ISO "E"	<input type="checkbox"/> Approval requirement	<input type="checkbox"/> Critical feature	Name	Sheet
-	A3		<input type="checkbox"/> ABE	<input type="checkbox"/> Major feature	SD TE 1500-AVR_01	8
			Status	22.11.2012	Released	SZ TE 1500-AVR_01 Document No. 350356 / F / 563782 Material No. 330710
Hilti = registered trademark of Hilti Corporation, Schaan, LI Copyright reserved			Drawn	15.11.2012	FROMMAR	
			Modified	15.11.2012	FROMMAR	
			Checked			

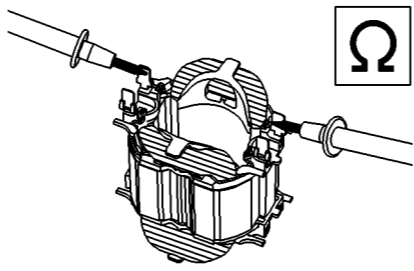


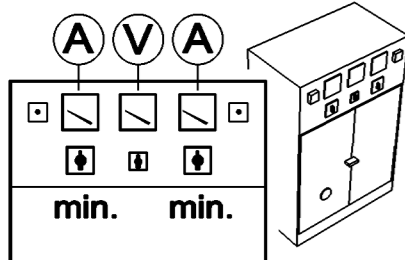


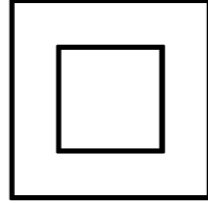

Only valid in relation with current engineering BOM

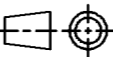

Scale	Format	ISO "E"	<input type="checkbox"/> Approval requirement	<input type="checkbox"/> Critical feature	Name	Sheet
-	A3		<input type="checkbox"/> ABE	<input type="checkbox"/> Major feature	SD TE 1500-AVR_01	
			Status	22.11.2012	Released	of 11
Hilti = registered trademark of Hilti Corporation, Schaan, LI			Drawn	15.11.2012	FROMMAR	
Copyright reserved			Modified	15.11.2012	FROMMAR	
			Checked			
					SZ TE 1500-AVR_01	
					Document No.	350356 / F / 563782
					Material No.	330710

	100V	16 - 19A
	110-120V	14 - 18A
	220-240V	6 - 9A

	Ω	100-240V	0,8 - 1,0 Ω

	100V	8 - 11A
	110-120V	6 - 10A
	220-240V	3 - 5A

	
<p>Electrical safety test according VDE 0701 / 0702</p> <p>or</p> <p>High voltage test according operation instruction SECUTEST</p>	

Only valid in relation with current engineering BOM					
Scale	Format	ISO "E"	<input type="checkbox"/> Approval requirement	<input type="checkbox"/> Critical feature	Name
-	A3		<input type="checkbox"/> ABE	<input type="checkbox"/> Major feature	SD TE 1500-AVR_01
 Hilti = registered trademark of Hilti Corporation, Schaan, LI Copyright reserved			Status	22.11.2012	Released
			Drawn	15.11.2012	FROMMAR
			Modified	15.11.2012	FROMMAR
			Checked		
			SZ TE 1500-AVR_01		Sheet 10 of 11
			Document No. 350356 / F / 563782		
			Material No. 330710		

8	7	>< 6	5	<>4	3	2	1																																																													
F	<h3>Haftungsausschluss</h3> <p>Reparaturen am Gerät dürfen nur von einer entsprechend sachkundigen Fachkraft unter Berücksichtigung der gesetzlichen Vorschriften durchgeführt werden. Andernfalls besteht Unfall- und Verletzungsgefahr. Die entsprechenden Instruktionen bezüglich Pflege, Unterhalt und Reparaturen in den jeweiligen Bedienungsanleitungen sind strikte einzuhalten.</p>		<h3>Disclaimer</h3> <p>Tool repair must be performed only by qualified repair personnel knowledgeable about the specific tool and the legal requirements. Service, maintenance or repair performed by unqualified personnel could result in a risk of accidents and injury. The instructions with regard to service, maintenance and repair in the respective operating instructions must be strictly adhered to.</p>		<h3>免責條款</h3> <p>合格的機具維修人員必須具備特殊機具的知識，並符合法規的要求。由不合格的人員進行服務、保養或維修，可能會造成危險事故及傷害。必須嚴格遵守各項說明書中之服務、保養及維修的說明。</p>		<p>Masse/Dimensions in mm</p> <h3>Изключване на отговорността</h3> <p>Уреалт може да се ремонтира само от компетентен специалист при съблюдаване на нормативните Разпоредби. В противен случай може да възникне опасност от нараняване или злополука. Трябва да се спазват стриктно съответните инструкции по отношение на техническо обслужване, поддръжка и ремонт, които са приведени в съответните Ръководства за експлоатация.</p>																																																													
E	<h3>Vyloučení záruky</h3> <p>Opravy náradí směji, s ohledem na zákonné předpisy, provádět náležitým způsobem jen odborně kvalifikovaní pracovníci. Jinak vzniká riziko úrazu a poškození. Pokyny ohledně ošetřování, údržby a oprav, uvedené v příslušných návodech k použití, musí být přesně dodrženy.</p>		<h3>Ansvarsfraskrivelse</h3> <p>Reparationer på apparatet skal altid udføres af en fagmand i overensstemmelse med de gældende regler og bestemmelser. I modsat fald er der risiko for ulykker og personskader. Anvisningerne på pleje, vedligeholdelse og reparationer, der er beskrevet i instruktionsbogen, skal altid overholdes.</p>		<h3>Αποποίηση ευθυνών</h3> <p>Επισκευές στη συσκευή επιτρέπεται να διενεργούνται μόνο από αντίστοιχα εκπαιδευμένα πρόσωπα λαμβάνοντας υπόψη τις νομικές διατάξεις. Διαφορετικά υπάρχει κίνδυνος για ατυχήματα και τραυματισμούς. Πρέπει να προληφθεί αυστηρά οι κινδύνους οδηγίες που αναφέρονται στα εκάστοτε εγχειρίδια χρήσης όσον αφορά τη φροντίδα, τη συντήρηση και τις επισκευές.</p>		<h3>Exención de responsabilidad</h3> <p>Las reparaciones que se realicen en la herramienta sólo pueden ser efectuadas por expertos especializados conforme a las disposiciones legales. En caso contrario, existe el peligro de accidente o el riesgo de lesiones. Las indicaciones referentes al cuidado, al mantenimiento y a las reparaciones incluidas en los correspondientes manuales de instrucciones deben cumplirse estrictamente.</p>																																																													
E	<h3>Vastutuse välistamine</h3> <p>Seadet tohvad parandada üksnes asjaomase ettevõtmistusega spetsialistid, kes peavad kinni seadusandlikest eeskirjadest. Nimetatud nõude eiramise tagajärjeks on vigastuste ja õnnetuste oht. Rangelt tuleb järgida iga seadme kasutusjuhendis toodud asjaomaseid hooldus-, korrashoiu- ja parandusjuhiseid</p>		<h3>Vastuulauseke</h3> <p>Laitteiden ja koneiden korjauksia saa tehdä vain ammattitaitoinen, näihin töihin koulutettu henkilö, ja toisssä on noudatettava lakisääteisiä määräyksiä. Muutoin onnettomuus- ja loukkaantumisvaara on olemassa. Käyttöohjeissa annettuja hoitoa, ylläpitoa ja korjauksia koskevia ohjeita on ehdottomasti noudatettava tarkasti.</p>		<h3>Limitation de responsabilité</h3> <p>Les réparations sur l'appareil doivent exclusivement être effectuées par une main-d'œuvre qualifiée et compétente, conformément aux prescriptions légales. À défaut de quoi, il y a risque d'accidents et de blessures corporelles. Les instructions correspondantes relatives au nettoyage, à l'entretien et aux réparations spécifiées dans les modes d'emploi respectifs doivent être rigoureusement respectées.</p>		<h3>Isključenje odgovornosti</h3> <p>Popravke na uređaju smiju izvoditi samo odgovarajući stručnjaci uzimajući u obzir zakonske propise. U suprotnom slučaju postoji opasnost od nezgoda i tjelesnih ozljeda. Strogo se valja pridržavati odgovarajućih uputa glede njege, održavanja i popravaka u pojedinim uputama za uporabu.</p>																																																													
D	<h3>A felelősség kizárása</h3> <p>A szerszám javítását csak kifejezetten hozzáértő szakember végezheti a vonatkozó törvényes előírások betartásával. Ennek figyelmen kívül hagyása baleset- és sérülésveszélyt idéz elő. A mindenkori kezelési utasítás szervizre, karbantartásra és javításra vonatkozó rendelkezéseit szigorúan be kell tartani.</p>		<h3>Esclusione di responsabilità</h3> <p>Le riparazioni dell'attrezzo devono essere eseguite esclusivamente da personale specializzato addestrato, osservando i relativi requisiti di legge. In caso contrario sussiste il pericolo di incidenti e di lesioni. Attenersi con precisione alle istruzioni relative alla cura, la manutenzione e la riparazione riportate nelle rispettive istruzioni d'uso.</p>		<h3>免責条項</h3> <p>本体の修理は、訓練を受けた修理スペシャリストのみが、適用されている法規に従って行うことができます。その他の方が修理しますと、怪我や事故の危険がともないます。取扱説明書に記述されている手入れ、保守および修理に関する指示を必ず遵守してください。</p>		<h3>보증제외</h3> <p>기기의 수리는 법규를 고려하여 전문 기술자만이 실시할 수 있습니다. 그렇게 하지 않으면 사고 및 부상의 위험이 있습니다. 해당 사용 설명서에 기재되어 있는 서비스, 유지보수 및 수리와 관련된 지침을 엄격하게 준수해야 합니다.</p>																																																													
C	<h3>Atsakomybės apribojimas</h3> <p>Prietaisais gali būti taisomas tik atitinkama kvalifikacija turinčių specialistų atsizvelgiant į teisinius poavarius. Priešingu atveju yra pavojus patirti nelaimingą atsitikimą arba susižeisti. Privatu tiksliai laikytis atitinkamų priežiūros, aptarnavimo ir remonto instrukcijų, nurodytų atitinkamo prietaiso naudojimo instrukcijoje.</p>		<h3>Atbildības atsaukšana</h3> <p>Instrumenta remonu drīkst veikt tikai atbilstoši kvalificēts personāls, ievērojot spēkā esošās tiesību normas. Citādā gadījumā pastāv negadījumu risks un risks gūt traumas. Stingri jāievēro atbilstoši attiecīgo lietošanas instrukciju norādījumi, kuri attiecas uz instrumentu kopšanu, uzturēšanu kārtībā un remontu.</p>		<h3>Disclaimer</h3> <p>Reparaties aan het apparaat mogen alleen worden uitgevoerd door gekwalificeerd en deskundig personeel, met inachtneming van de wettelijke voorschriften. Wordt hier niet aan voldaan, dan kan dit leiden tot ongevallen of letsel. Men dient zich strikt te houden aan de instructies inzake verzorging, onderhoud en reparaties in de betreffende gebruiksaanwijzingen.</p>		<h3>Ansvarsfraskrivelse</h3> <p>Reparasjon av maskinen skal kun foretas av sakkyndig fagperson. Lovfestede krav må følges under dette arbeidet. I motsatt fall oppstår fare for ulykker og personskade. De tilhørende instruksjonene vedrørende pleie, vedlikehold og reparasjon i de tilhørende bruksanvisningene må følges nøye.</p>																																																													
B	<h3>Wyłączenie odpowiedzialności cywilnej</h3> <p>Naprawy urządzenia mogą być przeprowadzane wyłącznie przez autoryzowanego serwisanta z uwzględnieniem obowiązujących przepisów prawnych. W przeciwnym razie istnieje zagrożenie spowodowania wypadku i obrażeń. Należy dokładnie przestrzegać zaleceń z poszczególnych instrukcji obsługi dotyczących pielęgnacji, utrzymywania w stanie sprawności oraz napraw.</p>		<h3>Exclusão de responsabilidade</h3> <p>As reparações no aparelho devem ser efectuadas apenas por pessoal técnico especializado, sob consideração das prescrições legais. Caso contrário, existe perigo de acidente e ferimentos. As respectivas instruções relativas à conservação, manutenção e reparações que constam no respectivo manual de instruções devem ser rigorosamente respeitadas.</p>		<h3>Исключение ответственности</h3> <p>Ремонт аппарата должен выполняться только квалифицированным специалистом при условии соблюдения предписаний, установленных законом. В противном случае возможна угроза несчастного случая или травмирования. Следует неукоснительно выполнять инструкции по уходу, содержанию и ремонту аппарата, приведенные в соответствующих руководствах по эксплуатации.</p>		<h3>Vylúčenie záruky</h3> <p>Opravy náradia smú, s ohľadom na zákonné predpisy, vykonávať náležitým spôsobom len odborné kvalifikovaní pracovníci. Inak vzniká riziko úrazu a poškodenia. Pokyny týkajúce sa ošetrovania, údržby a opráv, uvedené v príslušných návodoch na používanie, musia byť presne dodržané.</p>																																																													
B	<h3>Isključitev odgovornosti</h3> <p>Popravila lahko izvajajo le ustrezno usposobljeni strokovnjaki ob upoštevanju zakonskih predpisov. V nasprotnem primeru obstaja nevarnost nesreč in poškodb. Strogo je treba upoštevati ustrezna navodila glede nege, vzdrževanja in popravila iz posameznih navodil za uporabo.</p>		<h3>Friskrivning från ansvar</h3> <p>Reparationer på detta verktyg får endast utföras av fackman, och gällande lagar och regler måste följas. I annat fall finns risk för olyckor och skador. Instruktionerna om skötsel, underhåll och reparationer i respektive bruksanvisning måste följas strikt.</p>																																																																	
A	<h3>Clauze de exonerare</h3> <p>Repararea maşinii (sculei) trebuie efectuată doar de către personal calificat pentru reparații, care posedă cunoștințe despre mașina respectivă și cerințele legale. Activitățile de depanare, întreținere și reparare efectuate de personal necalificat pot duce la risc de accidentări și vătămări. Trebuie respectate cu strictețe toate instrucțiunile de depanare, întreținere și reparare din manualele de utilizare respective.</p>						<table border="1"> <tr> <td colspan="4">Only valid in relation with current engineering BOM</td> <td colspan="2"></td> </tr> <tr> <td>Scale</td> <td>Format</td> <td>ISO "E"</td> <td>Approval requirement</td> <td>Critical feature</td> <td>Name</td> </tr> <tr> <td>-</td> <td>A3</td> <td></td> <td><input type="checkbox"/> Approval requirement <input type="checkbox"/> ABE</td> <td><input type="checkbox"/> Critical feature <input type="checkbox"/> Major feature</td> <td>SD TE 1500-AVR_01</td> </tr> <tr> <td colspan="3"></td> <td>Status</td> <td>22.11.2012</td> <td>Released</td> </tr> <tr> <td colspan="3">Hilti = registered trademark of Hilti Corporation, Schaan, LI</td> <td>Drawn</td> <td>15.11.2012</td> <td>FROMMAR</td> </tr> <tr> <td colspan="3">Copyright reserved</td> <td>Modified</td> <td>15.11.2012</td> <td>FROMMAR</td> </tr> <tr> <td colspan="3"></td> <td>Checked</td> <td></td> <td></td> </tr> <tr> <td colspan="4"></td> <td>Document No.</td> <td>350356 / F / 563782</td> </tr> <tr> <td colspan="4"></td> <td>Material No.</td> <td>330710</td> </tr> <tr> <td colspan="4"></td> <td>Sheet</td> <td>11 of 11</td> </tr> </table>		Only valid in relation with current engineering BOM						Scale	Format	ISO "E"	Approval requirement	Critical feature	Name	-	A3		<input type="checkbox"/> Approval requirement <input type="checkbox"/> ABE	<input type="checkbox"/> Critical feature <input type="checkbox"/> Major feature	SD TE 1500-AVR_01				Status	22.11.2012	Released	Hilti = registered trademark of Hilti Corporation, Schaan, LI			Drawn	15.11.2012	FROMMAR	Copyright reserved			Modified	15.11.2012	FROMMAR				Checked							Document No.	350356 / F / 563782					Material No.	330710					Sheet	11 of 11
Only valid in relation with current engineering BOM																																																																				
Scale	Format	ISO "E"	Approval requirement	Critical feature	Name																																																															
-	A3		<input type="checkbox"/> Approval requirement <input type="checkbox"/> ABE	<input type="checkbox"/> Critical feature <input type="checkbox"/> Major feature	SD TE 1500-AVR_01																																																															
			Status	22.11.2012	Released																																																															
Hilti = registered trademark of Hilti Corporation, Schaan, LI			Drawn	15.11.2012	FROMMAR																																																															
Copyright reserved			Modified	15.11.2012	FROMMAR																																																															
			Checked																																																																	
				Document No.	350356 / F / 563782																																																															
				Material No.	330710																																																															
				Sheet	11 of 11																																																															
8	7	>< 6	5	4	3	2	1																																																													